

Floor Boxes

Above-Floor Service Fittings

HUBBELL

Ordering Information

Description	Material	UPC	Catalog Number
Frame, housing, 1 in.	Aluminum	783585136134	SC3099A

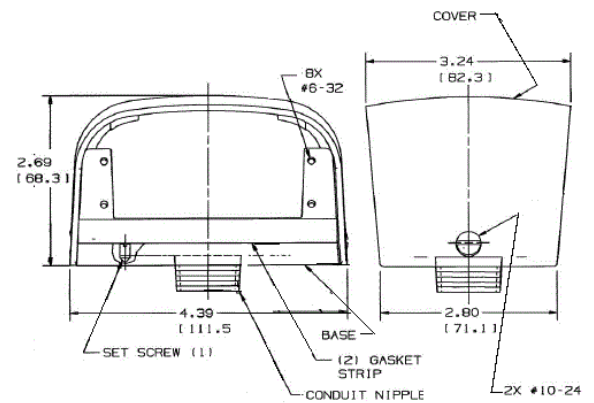


Listings

UL Listed
CSA Certified

Specifications

Pedestal Type	Metallic Lo-Con
Pedestal Item	Frame & Housing- 1" Mounting Nipple



Online Resources

[Customer Use Drawing](#)
[eCatalog](#)
[Installation Instructions](#)

Dimensions in Inches (mm)

Hubbell Wiring Device-Kellems • Hubbell Incorporated (Delaware) • 40 Waterview Drive • Shelton, CT 06484

Phone (800) 288-6000 • Fax (800) 255-1031 • Specifications subject to change without notice.

