

Kellems® Wire Management Products  
 Accessories  
 Multi-Hole Cord Grip Connectors

# HUBBELL

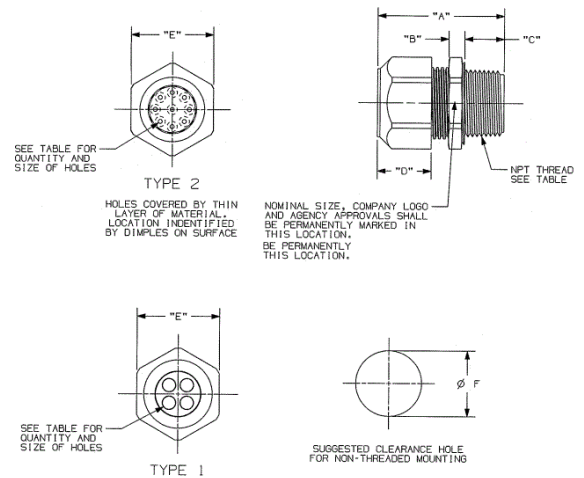


### Ordering Information

Description	Color	UPC	Catalog Number
Multi-Hole Cord Grip Connectors, Black	Black	783585233444	SEC50B252

### Specifications

No. of Holes	2
NPT Hub Size	1/2 Inch
Cord Diameter Inches (mm)	.205" (5.2mm)



### Online Resources

Customer Use Drawing  
 eCatalog

Dimensions in Inches (mm)

Hubbell Wiring Device-Kellems • Hubbell Incorporated (Delaware) • 40 Waterview Drive • Shelton, CT 06484

Phone (800) 288-6000 • Fax (800) 255-1031 • Specifications subject to change without notice.

