

Kellems® Wire Management Products
 Accessories
 Multi-Hole Cord Grip Connectors

HUBBELL

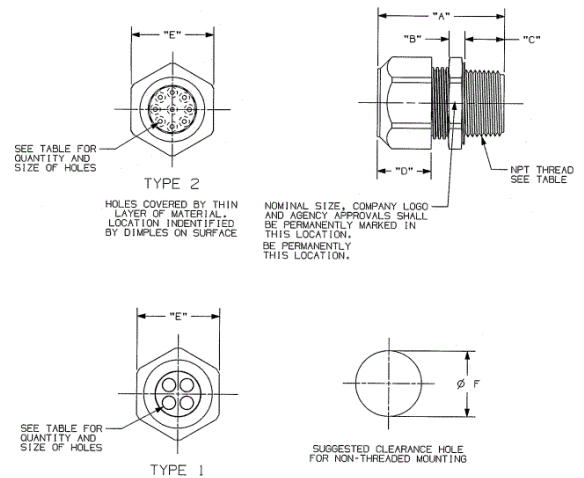
Ordering Information

Description	Color	UPC	Catalog Number
Multi-Hole Cord Grip Connectors, Black	Black	783585233550	SEC50B356



Specifications

No. of Holes	3
NPT Hub Size	1/2 Inch
Cord Diameter Inches (mm)	.220" (5.6mm)



Online Resources

Customer Use Drawing
 eCatalog

Dimensions in Inches (mm)

Hubbell Wiring Device-Kellems • Hubbell Incorporated (Delaware) • 40 Waterview Drive • Shelton, CT 06484

Phone (800) 288-6000 • Fax (800) 255-1031 • Specifications subject to change without notice.

