

Floor Boxes
Accessories

Cover and Carpet Flange

Features

- One Piece Cover Carpet Flange
- Durable Solid Brass Construction
- Brushed Finish
- UL 514A listed and meet UL Scrubwater requirements

Ordering Information

Description	Material	UPC Number	Catalog Number
One Piece, Combo Cover/Flange, Brass	Solid Brass	783585006628	SF2525

Listings

cULus Listed
UL514A listed and meet UL Scrubwater requirements
ADA compliant flange

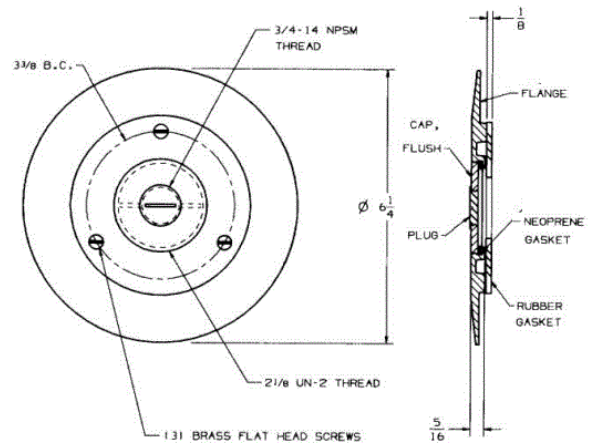
Specifications

Cover Style	Round
Cover Finish	Brass
Cover Opening	Combo 2 1/8" x 3/4"
Offering	6.25" Diameter

Performance

Electrical	
Cover Load Rating	300 lbs. for a static load applied through a 3 inch mandrel

HUBBELL



Related Products

Replacement Crown Plug	SA5012
Replacement Flush Cap Ring	SA5010

Online Resources

Customer Sales Drawings
eCatalog
Installation Instructions

Dimensions in Inches (mm)

Hubbell Wiring Device-Kellems • Hubbell Incorporated (Delaware) • 40 Waterview Drive • Shelton, CT 06484

Phone (800) 288-6000 • Fax (800) 255-1031 • Specifications subject to change without notice.

