

Floor Boxes
Flush Round Single or Multi-Service
Flush Round Covers and Flanges

HUBBELL

Features

- Meets ADA standards for accessible design
- Provides consistent look and maximum functionality
- Durable cast aluminum construction

Ordering Information

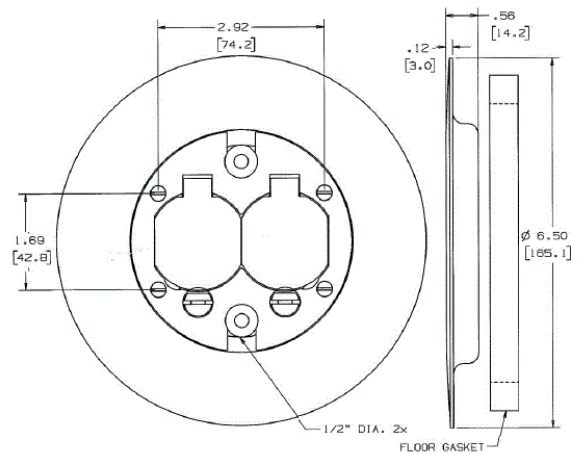
Description	Device Color	UPC	Catalog Number
Combo Cover/Flange	Brass	783585006567	SF39253A

Listings

UL File Number E92074

Specifications

Material	Brass
Floor Box Item	Metallic Combo Cover/Flange
Floor Box Version	Round
Insulator	Separates receptacle from low-voltage wiring



Online Resources

- Customer Use Drawing
- eCatalog
- Installation Instructions

Dimensions in Inches (mm)

Hubbell Wiring Device-Kellems • Hubbell Incorporated (Delaware) • 40 Waterview Drive • Shelton, CT 06484

Phone (800) 288-6000 • Fax (800) 255-1031 • Specifications subject to change without notice.

