

Switches, Single Pole  
20A, 120-277V AC  
SNAPConnect® Heavy Duty Pilot Toggle  
Switches

# HUBBELL

## Features

- Steel, zinc plated bridge is corrosion resistant
- Thread cleaning captive mounting screw
- Pilot versions use LEDs for longer life

## Ordering Information

| Description                                   | Toggle Color | UPC          | Catalog Number |
|---|--------------|--------------|----------------|
| Pilot, Light On with Load On, Toggle, Red LED | Ivory        | 783585189390 | SNAP1221PLINA  |

## Listings

UL Listed  
CSA Certified  
Fed. Spec. W-S-896

## Specifications

|                 |                      |
|-----------------|----------------------|
| Top Material    | Thermoplastic, Red   |
| Base Material   | Thermoplastic, Black |
| Toggle Material | Thermoplastic        |
| Contacts        | Silver Alloy         |
| Terminals       | Brass                |

## Performance

### Electrical

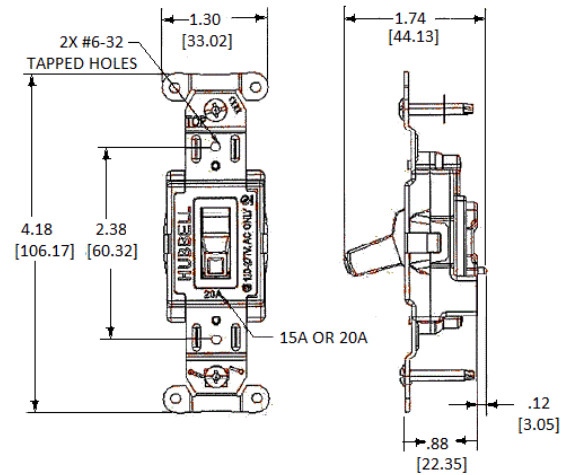
|                         |  |
|-------------------------|--|
| Dielectric Voltage      | Withstands 1500V AC minimum for 1 minute       |
| Max. Continuous Current | 20A  |
| Max. Working Voltage    | 277V AC  |
| Overload                | Minimum 4.8 times rated current for 100 cycles |
| Temperature Rise        | 30°C maximum at rated current                  |

### Mechanical

Terminal Accommodations Uses SNAPConnect Connector

### Environmental

|                       |  |
|-----------------------|--|
| Flammability          | UL 94V-2   |
| Operating Temperature | Max. continuous: 75°C; Min. continuous: -40°C without impact |



## Online Resources

Customer Use Drawing  
eCatalog  
Installation Instructions

Dimensions in Inches (mm)

Hubbell Wiring Device-Kellems • Hubbell Incorporated (Delaware) • 40 Waterview Drive • Shelton, CT 06484

Phone (800) 288-6000 • Fax (800) 255-1031 • Specifications subject to change without notice.

