

Switches, Three Way
20A, 120-277V AC
SNAPConnect® Heavy Duty Illuminated
Toggle Switches

HUBBELL

Features

- Steel, zinc plated bridge is corrosion resistant
- Thread cleaning captive mounting screw
- Illuminated versions use LEDs for longer life

Ordering Information

| Description | Toggle Color | UPC | Catalog Number |
|---|--------------|--------------|----------------|
| Illuminated, Light On with Load Off, Toggle, Blue LED | White | 783585186214 | SNAP1223ILWNA |

Listings

UL Listed
CSA Certified
Fed. Spec. W-S-896

Specifications

| | |
|-----------------|----------------------|
| Top Material | Thermoplastic, Red |
| Base Material | Thermoplastic, Black |
| Toggle Material | Thermoplastic |
| Contacts | Silver Alloy |
| Terminals | Brass |

Performance

Electrical

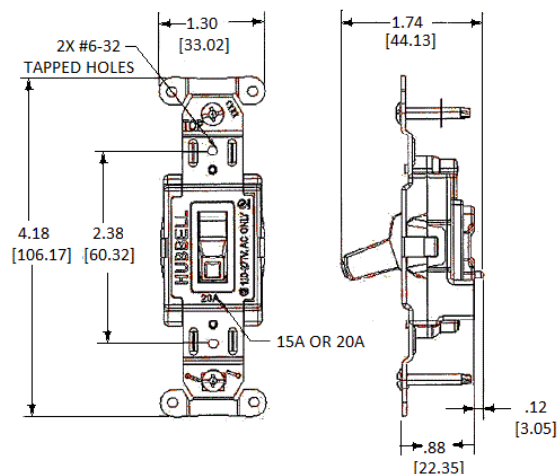
| | |
|-------------------------|--|
| Dielectric Voltage | Withstands 1500V AC minimum for 1 minute |
| Max. Continuous Current | 20A |
| Max. Working Voltage | 277V AC |
| Overload | Minimum 4.8 times rated current for 100 cycles |
| Temperature Rise | 30°C maximum at rated current |

Mechanical

Terminal Accommodations Uses SNAPConnect Connector

Environmental

| | |
|-----------------------|--|
| Flammability | UL 94V-2 |
| Operating Temperature | Max. continuous: 75°C; Min. continuous: -40°C without impact |



Online Resources

[Customer Use Drawing](#)
[eCatalog](#)
[Installation Instructions](#)

Dimensions in Inches (mm)

Hubbell Wiring Device-Kellems • Hubbell Incorporated (Delaware) • 40 Waterview Drive • Shelton, CT 06484

Phone (800) 288-6000 • Fax (800) 255-1031 • Specifications subject to change without notice.

