

Switches, Single Pole  
 15A, 120-277V AC  
 SNAPConnect® Heavy Duty Style Line®  
 Decorator Switches

# HUBBELL

## Features

- Steel, zinc plated bridge is corrosion resistant
- Thread cleaning captive mounting screw
- Self-grounding staple assures continuity to wall box

## Ordering Information

| Description            | Toggle Color | UPC          | Catalog Number |
|------------------------|--------------|--------------|----------------|
| SNAPConnect®<br>Rocker | Red          | 783585189567 | SNAP2101RNA    |

## Listings

UL Listed  
 CSA Certified

## Specifications

|                 |                      |
|-----------------|----------------------|
| Top Material    | Thermoplastic, Blue  |
| Base Material   | Thermoplastic, Black |
| Rocker Material | Thermoplastic        |
| Contacts        | Silver Alloy         |
| Terminals       | Brass                |

## Performance

### Electrical

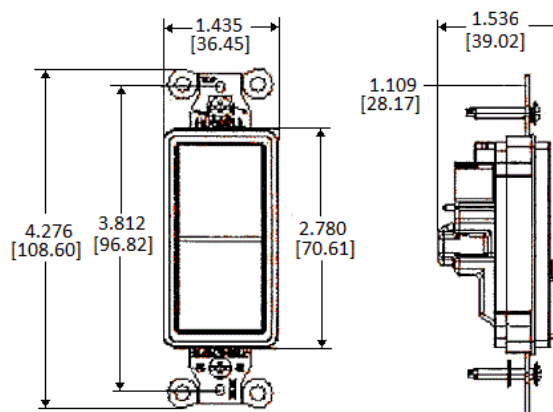
|                         |  |
|-------------------------|--|
| Dielectric Voltage      | Withstands 1500V AC minimum for 1 minute       |
| Max. Continuous Current | 15A  |
| Max. Working Voltage    | 277V AC  |
| Overload                | Minimum 4.8 times rated current for 100 cycles |
| Temperature Rise        | 30°C maximum at rated current                  |

### Mechanical

Terminal Accommodations Uses SNAPConnect Connector

### Environmental

|                       |  |
|-----------------------|--|
| Flammability          | UL 94V-2   |
| Operating Temperature | Max. continuous: 75°C; Min. continuous: -40°C without impact |



## Online Resources

Customer Use Drawing  
 eCatalog  
 Installation Instructions

Dimensions in Inches (mm)

Hubbell Wiring Device-Kellems • Hubbell Incorporated (Delaware) • 40 Waterview Drive • Shelton, CT 06484

Phone (800) 288-6000 • Fax (800) 255-1031 • Specifications subject to change without notice.

