

Straight Blade Devices

20 Amp, 125 Volt, 2-Pole, 3-Wire

SNAPConnect[®] Permanently Marked Receptacle

HUBBELL

Features

- Audible SNAP, indicates solid connection
- Reduces installation time
- Split Circuit, Half Controlled
- Power symbol is clearly visible

Ordering Information

Description	Device Color	UPC Number	Catalog Number
Two Controlled Faces	White	78358555423	SNAP2162C1W

Listings

UL Listed to UL498 File No. E2253
Certified to CSA, C22.2, No. 42 File 352
Fed. Spec. W-C-663
NEMA[®] WD-6 Compliant

Specifications

Face	Nylon
Base	Nylon
Line Contact	Brass
Ground Contact	Brass

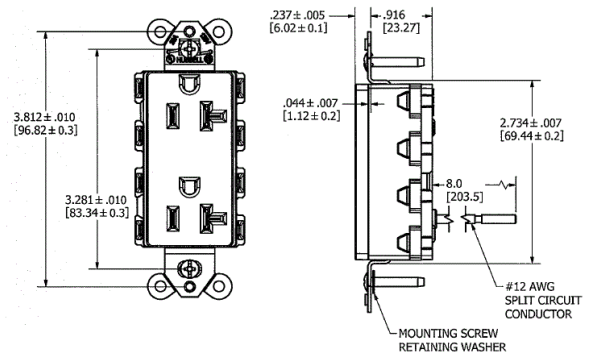
Performance

Electrical	
Current Interrupting	Certified for current interrupting at full rated current

Dielectric Voltage	Withstands 2,000V minimum
--------------------	---------------------------

Mechanical	
Product Identification	Ratings are a permanent part of the device

Environmental	
Flammability	UL 94V-2
Operating Temperature	Maximum continuous 75°C; minimum -40°C (without impact)



Complementary Products

Wallplate or Weatherproof Cover
Opening

Online Resources

Customer Sales Drawing
eCatalog
Installation Instructions

Dimensions in Inches (mm)

Hubbell Wiring Device-Kellems • Hubbell Incorporated (Delaware) • 40 Waterview Drive • Shelton, CT 06484

Phone (800) 288-6000 • Fax (800) 255-1031 • Specifications subject to change without notice.

