

Straight Blade Devices

20 Amp, 125 Volt, 2-Pole, 3-Wire

SNAPConnect® Extra Heavy Duty Receptacle

HUBBELL

Features

- Audible SNAP, indicates solid connection
- Reduces installation time
- IG, LED Indicator

Ordering Information

| Description | Device Color | UPC Number | Catalog Number |
|-----------------|--------------|--------------|----------------|
| Standard Duplex | Orange | 783585193656 | SNAP5362IGL |

Listings

UL Listed to UL498 File No. E2444
Certified to CSA, C22.2, No. 42 File 543
Fed. Spec. W-C-854
NEMA® WD-6 Compliant

Specifications

| | |
|----------------|-------|
| Face | Nylon |
| Base | Nylon |
| Line Contact | Brass |
| Ground Contact | Brass |

Performance

Electrical

| | |
|----------------------|--|
| Current Interrupting | Certified for current interrupting at full rated current |
| Dielectric Voltage | Withstands 2,000V minimum |

Mechanical

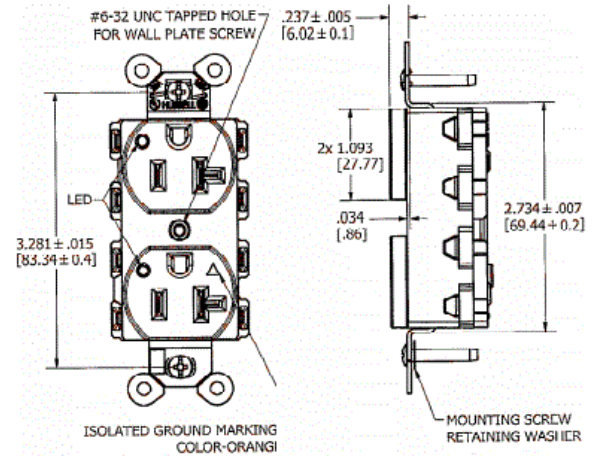
| | |
|------------------------|--|
| Product Identification | Ratings are a permanent part of the device |
|------------------------|--|

Environmental

| | |
|-----------------------|---|
| Flammability | UL 94V-2 |
| Operating Temperature | Maximum continuous 75°C; minimum -40°C (without impact) |



20A 125V
NEMA 5-20R
UL CSA
1 HP



Complementary Products

Wallplate or Weatherproof Cover
Opening

Online Resources

Customer Sales Drawing
eCatalog
Installation Instructions

Dimensions in Inches (mm)

Hubbell Wiring Device-Kellems • Hubbell Incorporated (Delaware) • 40 Waterview Drive • Shelton, CT 06484

Phone (800) 288-6000 • Fax (800) 255-1031 • Specifications subject to change without notice.

