

## Features

- Rugged design features satin aluminum construction body with impact-resistant polycarbonate end caps
- Parallel module wiring keeps individual seating boxes from losing power up and downstream
- Fast charging speeds delivering up to 5 amps of charging power
- Smooth insertion tamper-resistant devices provide an extra level of safety to your customer
- Overcurrent protection - 12 amp string and 5 amp individual module protection



## Ordering Information

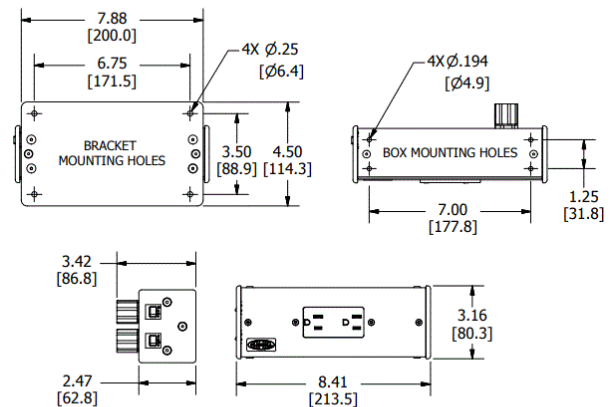
Description	Color	UPC Number	Catalog Number
Four Unit Powered Seating Boxes	Satin Aluminum Body with Black Polycarbonate End Caps	783585548517	SP15USB4

## Listings

UL, cULus Listed  
 Meets construction and safety standards for UL962A Furniture Power Distribution Units Assembled in the USA

## Specifications

Housing	Aluminum
End Caps	Impact Resistant Polycarbonate
Cord Length	10 ft.
Connecting Cords	5 ft.
Device	USB Type A and Commercial Grade Tamper-Resistant Duplex Receptacle



## Online Resources

Customer Use Drawing  
 eCatalog  
 Installation Instructions