

iStation

Phone Plates

Stainless Steel Wall Mount Phone Plates

Features

- Studs Accommodate Any Standard Wall Phone
- Comes With Keystone Jack
- Manufactured From Type 430 Stainless Steel, Brush Finish

Ordering Information

Description	Color	UPC Number	Catalog No.
iStation Stainless Steel Wall Mount Phone Plate, Single Gang, Recessed Jack	Gray	662620553849	SP5ER

Listings

UL and cUL Listed 1863
 ANSI/TIA/EIA-568-C.2 Category 5E component
 ISO 11801/60603-7-41 Category 5E component
 Mechanical: Verified to TIA-568-C.2
 Mechanical TIA-568-C.2
 RoHS Compliant

Specifications

Nose Contact	Beryllium copper with precious metal plating with nickel under-plating
IDC Contact	Phosphor bronze with 100 micro-inch tin lead 60/40 plating over nickel under plating
Jack Housing	High-impact thermoplastic (UL 94V-0)
Stuffer Cap	Lexan® (UL 94 V-0)

Performance

Electrical

Center balanced to Category 5E plug specifications
 Exceeds component requirements by a minimum of 3dB
 Positive PSACR beyond 190 MHz (channel)
 Qualified to 150% of 802.3bt PoE Current Level

General Information

100% factory tested
 Backward compatible to lower installed Categories

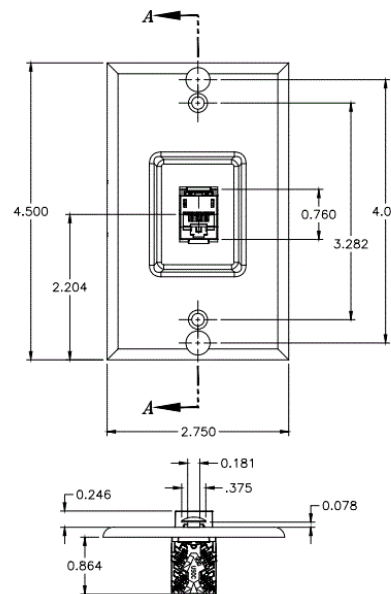
Mechanical

IDC Contact Termination: 10x
 Keystone Latching Force: 25 lbs.
 Nose Contact Mating Cycles: 2000

Applications

IEEE 802.3ab 1000GBASE-T
 IEEE 802.3bt 4PPoE Power over Ethernet

HUBBELL



Complementary Products

1-Punch Tool	TX4P
Category 5E Patch Cord	HC5EB03
Dust Cover	HXJDC25
Termination Puck	HXTP25
Category 5E Cable	C5ESPB

Online Resources

eCatalog

Dimensions in Inches (mm)

Hubbell Wiring Device-Kellems • Hubbell Incorporated (Delaware) • 40 Waterview Drive • Shelton, CT 06484

Phone (800) 288-6000 • Fax (800) 255-1031 • Specifications subject to change without notice.

