

iStation

Phone Plates

Stainless Steel Wall Mount Phone Plates

Features

- Studs Accommodate Any Standard Wall Phone
- Comes With Keystone Jack
- Manufactured From Type 430 Stainless Steel, Brush Finish

Ordering Information

Description	Color	UPC Number	Catalog No.
iStation Stainless Steel Wall Mount Phone Plate, Single Gang, Flush Jack	Gray	662620553849	SP6F

Listings

UL and cUL Listed 1863
ANSI/TIA/EIA-568-C.2 Category 6 component
ISO 11801/60603-7-41 Category 6 component
Mechanical: Verified to TIA-568-C.2
Mechanical TIA-568-C.2
RoHS Compliant

Specifications

Nose Contact	Beryllium copper with precious metal plating over nickel under plating
IDC Contact	Phosphor bronze with 100 micro-inch tin lead 60/40 plating over nickel under plating
Jack Housing	High-impact thermoplastic (UL 94V-0)
Stuffer Cap	Lexan® (UL 94 V-0)

Performance

Electrical

4+Gbs capacity within the bandwidth of 1-250MHz (channel)
Center balanced to Category 6 plug specifications
Positive PSACR beyond 300 MHz (channel)
Qualified to 150% of 802.3bt PoE Current Level

General Information

Backward compatible to lower installed Categories

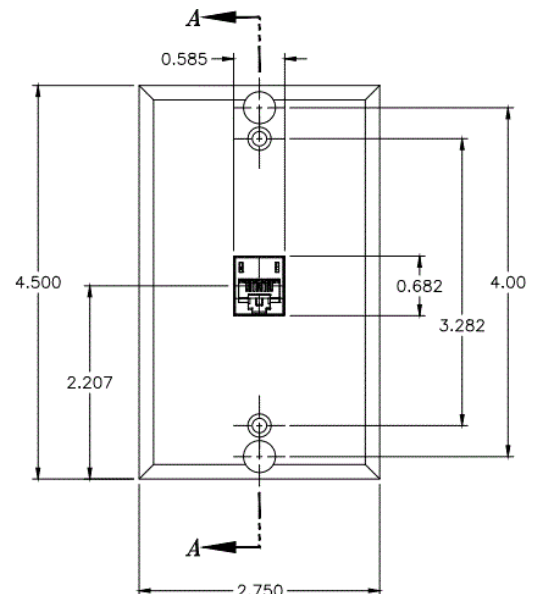
Mechanical

100% factory tested
IDC Contact Termination: 10x
Keystone Latching Force: 25 lbs.
Nose Contact Mating Cycles: 2000

Applications

IEEE 802.3ab 1000GBASE-T
IEEE 802.3bt 4PPoE Power over Ethernet
TIA TSB-155 10GbE Over 55 Meters

HUBBELL



Complementary Products

1-Punch Tool	TX4P
Category 6 Patch Cord	HC6GN03
Dust Cover	HXJDC25
Ascent Termination Puck	HXTP25
Category 6 Cable	C6SPB

Online Resources

eCatalog

Dimensions in Inches (mm)

Hubbell Wiring Device-Kellems • Hubbell Incorporated (Delaware) • 40 Waterview Drive • Shelton, CT 06484

Phone (800) 288-6000 • Fax (800) 255-1031 • Specifications subject to change without notice.

