

Wallplates
Single Receptacle Wallplates

HUBBELL

Features

- Non-magnetic and corrosion resistant
- Finish is lacquer coated to inhibit oxidation
- Protective plastic film helps to prevent scratches and damage
- 1-Single 1.40 in. (35.6) Diameter Opening

Ordering Information

Description	Color	Catalog Number	UPC
1-Gang, 1-Single Receptacle Opening, 1.40" (35.6) Dia. Hole	Gray	SP7G	883778115295

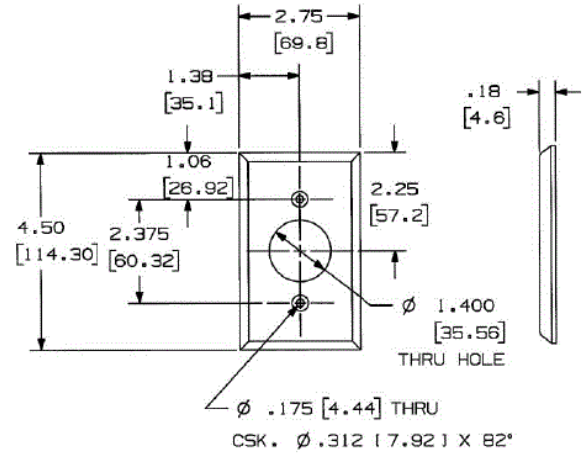


Listings

UL Listed
CSA Certified

Specifications

Plate Material	Steel
Plate Type	1-Gang
Plate Openings	Single Receptacle
Mounting Screws	Steel painted, slotted head
Appearance	Powder coat paint



Online Resources

[eCatalog](#)

Dimensions in Inches (mm)

Hubbell Wiring Device-Kellems • Hubbell Incorporated (Delaware) • 40 Waterview Drive • Shelton, CT 06484

Phone (800) 288-6000 • Fax (800) 255-1031 • Specifications subject to change without notice.

