

iStation

Phone Plates

Stainless Steel Wall Mount Phone Plates

Features

- Studs Accommodate Any Standard Wall Phone
- Comes With Keystone Jack
- Manufactured From Type 430 Stainless Steel, Brush Finish

Ordering Information

Description	Color	UPC Number	Catalog No.
iStation Stainless Steel Wall Mount Phone Plate, Single Gang, Flush Jack	Gray	662620553849	SPUF

Listings

UL and cUL Listed 1863
RoHS Compliant

Specifications

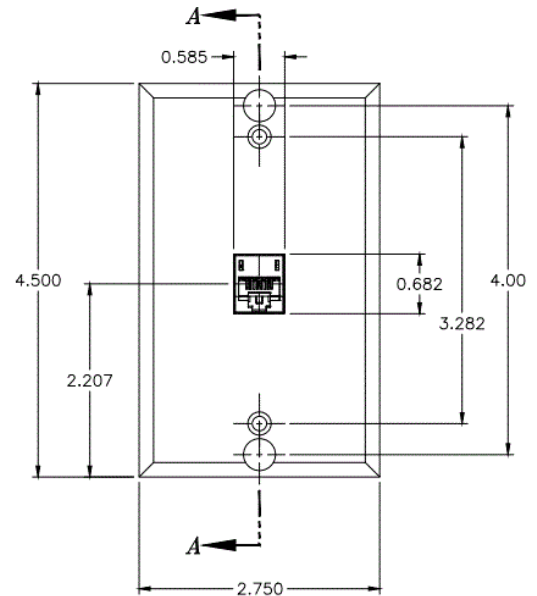
Nose Contact	Beryllium copper with precious metal plating with nickel under-plating
IDC Contact	Phosphor bronze with 100 micro-inch tin lead 60/40 plating over nickel under plating

Performance

Mechanical

IDC Contact Termination: 10x
Keystone Latching Force: 25 lbs.
Nose Contact Mating Cycles: 2000

HUBBELL



Complementary Products

1-Punch Tool	TX4P
Termination Puck	HXTP25

Online Resources

eCatalog

Dimensions in Inches (mm)

Hubbell Wiring Device-Kellems • Hubbell Incorporated (Delaware) • 40 Waterview Drive • Shelton, CT 06484

Phone (800) 288-6000 • Fax (800) 255-1031 • Specifications subject to change without notice.

