

Floor Boxes

Above-Floor Service Fittings



Ordering Information

Description	Material	UPC	Catalog Number
Single receptacle plate	Stainless Steel	783585136509	SS309S

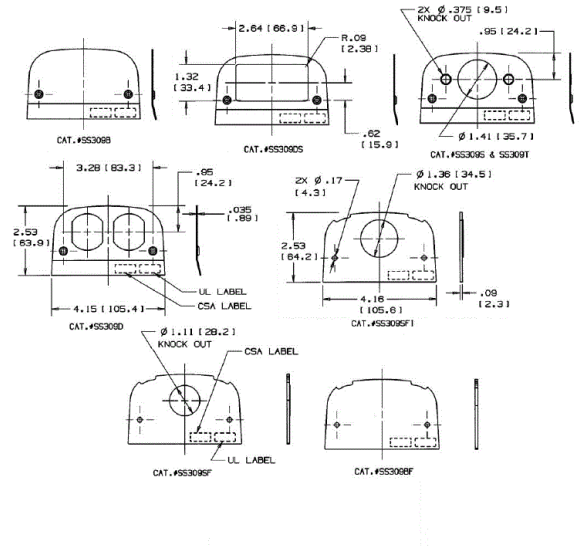


Listings

UL Listed
CSA Certified

Specifications

Pedestal Type	Metallic Lo-Con
Pedestal Item	Metallic Lo-Con Plates
Pedestal Plate Type	Lo-Con 1.40" Single Plate



Online Resources

Customer Use Drawing
eCatalog

Dimensions in Inches (mm)

Hubbell Wiring Device-Kellems • Hubbell Incorporated (Delaware) • 40 Waterview Drive • Shelton, CT 06484

Phone (800) 288-6000 • Fax (800) 255-1031 • Specifications subject to change without notice.

