

Floor Boxes
Table Top Boxes

HUBBELL

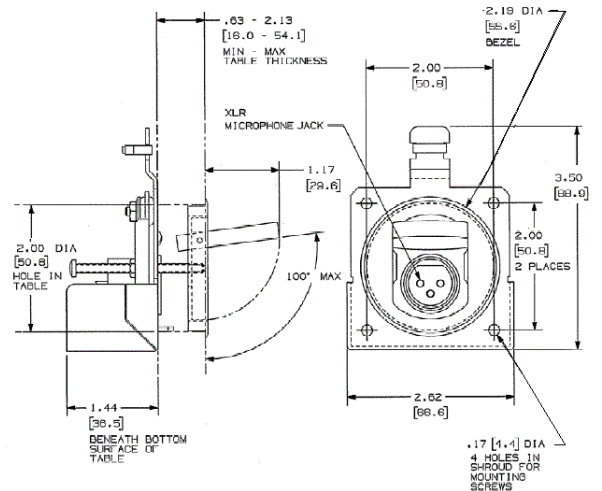
Ordering Information

| Description | Finish | UPC | Catalog Number |
|-----------------------|-------------------|--------------|----------------|
| Table Top box; 2 inch | Clear Anod. Alum. | 783585129167 | TTBXLRAL |



Specifications

| | |
|------------|----------------|
| Dimensions | 2.19" Diameter |
|------------|----------------|



Online Resources

- Customer Use Drawing
- eCatalog
- Installation Instructions

Dimensions in Inches (mm)

Hubbell Wiring Device-Kellems • Hubbell Incorporated (Delaware) • 40 Waterview Drive • Shelton, CT 06484

Phone (800) 288-6000 • Fax (800) 255-1031 • Specifications subject to change without notice.

