

# H-MOSS® Controls Load:Logic™ Plug Load Control Heavy Duty Load Controller with Integrated Wireless Receiver

# HUBBELL



## Features

- One circuit 20 amp relay to switch circuit for multiple load controls
- Receives input from up to 10 wireless transmitters
- Fail to "ON" if paired transmitter goes missing

## Ordering Information

Description	Device Color	UPC Number	Catalog Number
Receives wireless signals and controls its assigned circuit of receptacles	Black	783585256177	WLC301

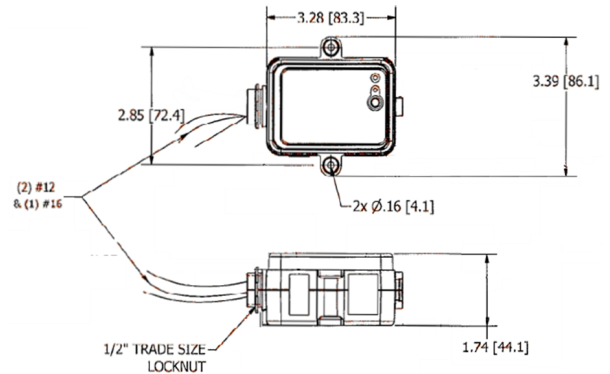


## Listings

FCC, IC Certified  
CEC Title 24 Compliant  
UL/cUL 916 Listed for Energy Management  
UL2043 plenum rated per NEC® 2014 300.22(C)(3)

## Specifications

Range (Standard/Obstructed)	30 ft (10m)
Range (Unobstructed line of sight)	60 ft (30m)
Operation	434MHz "quiet" FCC band
Housing	Flame retardant UL 94-5VA thermoplastic
Dimensions	4.00"L x 3.4"W x 1.73"H
Hardware	Included



## Performance

### Electrical

Circuits Controlled	One (1)
Load Capacity	20A, 100-277V; 1HP @ 120V AC; 2HP @ 240/277V
Power Supply	100-277V AC, 50/60Hz
Relay	Heavy duty; magnetic latching. Silver alloy contacts. Very low standby power consumption

### Environmental

Flammability	UL 94-5VA
Operating Temperatures	-40°F (-40 °C) to 149°F (65 °C). Below 32°F (0°C) must use suitably rated non-metallic enclosure. 0% to 90% humidity, non-condensing.

## Complementary Products

Wireless Status Transmitter	WLCA
HD load controller with integrated wireless transmitter	WLCU301
Wireless Wall Switch	WLS1278W
Occupancy Sensors	ATD2000C, ATD1600W
Straight Blade Receptacles	5262W, 5362W, DR15WHI, DR20WHI
Permanent Marking Labels	CL60
Additional Information	See H-MOSS® section in our eCatalog for more energy management solutions

## Online Resources

Customer Use Drawing  
eCatalog  
Installation Instructions

Dimensions in Inches (mm)

Hubbell Wiring Device-Kellems • Hubbell Incorporated (Delaware) • 40 Waterview Drive • Shelton, CT 06484

Phone (800) 288-6000 • Fax (800) 255-1031 • Specifications subject to change without notice.

