

Wall Plates  
 Weatherproof Plates  
 Weatherproof Cast Aluminum Lockable Cover

# HUBBELL

**Features**

- NEMA Type 3R
- Heavy-duty/High strength
- Flushed enclosure and cover

**Ordering Information**

Description	Device Color	UPC	Catalog Number
Weatherproof Cast Aluminum Lockable Cover	Aluminum	883778309687	WP4600



**Listings**

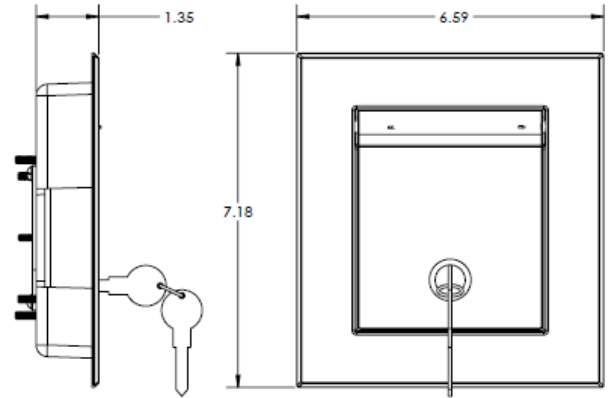
cULus Listed

**Specifications**

Cover	Cast Aluminum
Box	Galvanized Steel
Gasket	Crosslinked Polyethylene
Lock Type	Cobra Cam Lock

**Performance**

Environmental	
Weatherproof	3R Rated
Operating Temperatures	Maximum continuous 75°C minimum -40°C (without impact)



Dimensions in Inches (mm)

Hubbell Wiring Device-Kellems • Hubbell Incorporated (Delaware) • 40 Waterview Drive • Shelton, CT 06484

Phone (800) 288-6000 • Fax (800) 255-1031 • Specifications subject to change without notice.

