

**Sensing Devices**  
**Passive Infrared**  
**Wall Switch Sensors**

# HUBBELL

**Features**

- Nightlight version to provide illumination when the lights are OFF, no neutral required
- Manual adjusting, manual ON operation
- Wallplate sold separately

**Ordering Information**

Description	UPC Number	Catalog Number
Manual adjusting, manual ON operation; 120V AC only	783585428260	WS1021NI

**Listings**

cULus listed to UL 773A

**Specifications**

Housing	Flame retardant UL 94 V-0 ABS
Lens	Polyethylene
Dimensions	Face 2.59"H x 1.30"W, 0.61"D (from wall out)
Mounting Height	57 to 54 inches above floor
Mounting Strap	Steel

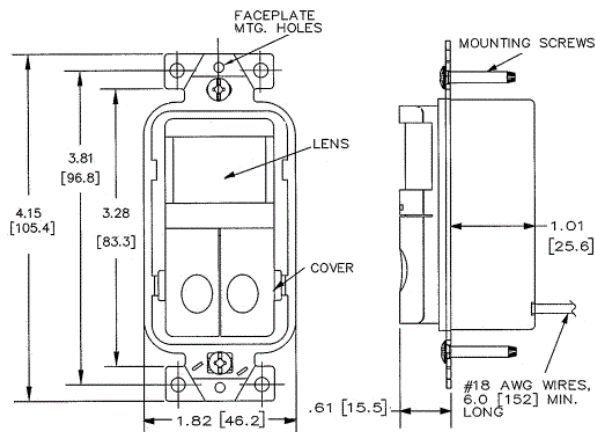
**Performance**

<b>Controls</b>	
Front Press Switch	ON/OFF
Service Switch	OFF (service); ON (normal operation)
Time Delay	6 seconds to 20 minutes (default set to 10 minutes)

<b>Electrical</b>	
Load Capacity	120VAC, 600W Incandescent, 5A Ballast, 5A CFL/LED, 277V; Horsepower rating 1/6

<b>Environmental</b>	
Operating Temperature	32°F to 122°F (0°C to 50°C) with rate of change not exceeding 20°F(11°C) per hour
Storage	-40°F to 150°F (-40°C to 65°C); 20% to 90% non condensing relative humidity

<b>Sensing Indicators</b>	
Passive Infrared	Red LED



**Complementary Products**

Nylon Wallplate	NP26I
SS Wallplate	SS26
Snap-On Wallplate	NPS26I

**Online Resources**

eCatalog

Dimensions in Inches (mm)

Hubbell Wiring Device-Kellems • Hubbell Incorporated (Delaware) • 40 Waterview Drive • Shelton, CT 06484

Phone (800) 288-6000 • Fax (800) 255-1031 • Specifications subject to change without notice.

