

H-MOSS® Controls Passive Infrared Wall Switches

HUBBELL

Features

- Nightlight version to provide illumination when the lights are OFF, neutral wire required
- Photocell prevents lights from turning ON with sufficient natural light
- 3-Way capable
- Matching wallplate included



Ordering Information

Description	UPC Number	Catalog Number
Manual adjusting; dual-voltage 120/277V; manual/auto ON operation	783585256757	WS2004NW

Listings

cULus listed to UL 773A

Specifications

Housing	Flame retardant UL 94 V-0 ABS
Lens	Polyethylene
Dimensions	Face 2.59"H x 1.30"W, 0.61"D (from wall out)
Mounting Height	42 to 54 inches above floor
Mounting Strap	Steel

Performance

Controls

Ambient Light	Photocell, 10 to 500 foot candles
Service Switch	OFF (service); vacancy (manual-ON); occupancy (auto-ON)
Time Delay	Manual 20 seconds to 30 minutes

Electrical

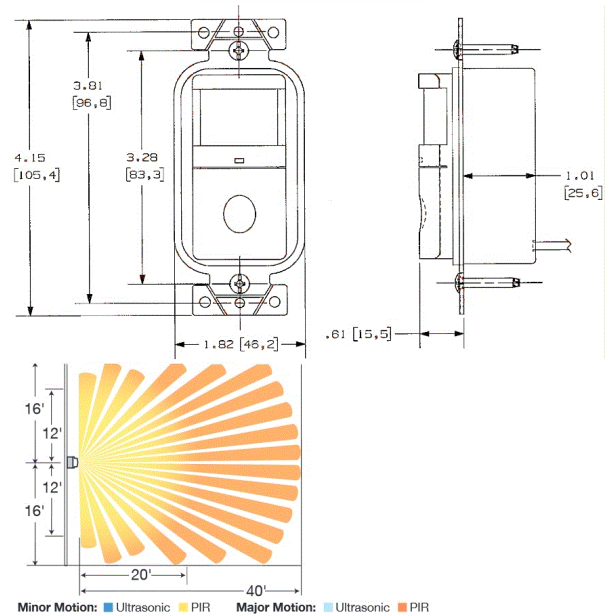
Load Capacity	Incandescent - 0 to 1000 watts, 120V; Ballast - 0 to 1000 watts, 277V; Horsepower rating 1/6
---------------	--

Environmental

Operating Temperature	32°F to 122°F (0°C to 50°C) with rate of change not exceeding 20°F(11°C) per hour
Storage	-40°F to 150°F (-40°C to 65°C); 20% to 90% non condensing relative humidity

Sensing Indicators

Passive Infrared	Red LED
------------------	---------



Complementary Products

Snap-On Wallplate	RCW1W
Nylon Wallplate	NP26W

Online Resources

Customer Use Drawing
eCatalog
Installation Instructions

Dimensions in Inches (mm)

Hubbell Wiring Device-Kellems • Hubbell Incorporated (Delaware) • 40 Waterview Drive • Shelton, CT 06484

Phone (800) 288-6000 • Fax (800) 255-1031 • Specifications subject to change without notice.

