

Floor Boxes
Pre-Wired Work Surface Elite Series
Connectivity Boxes

HUBBELL

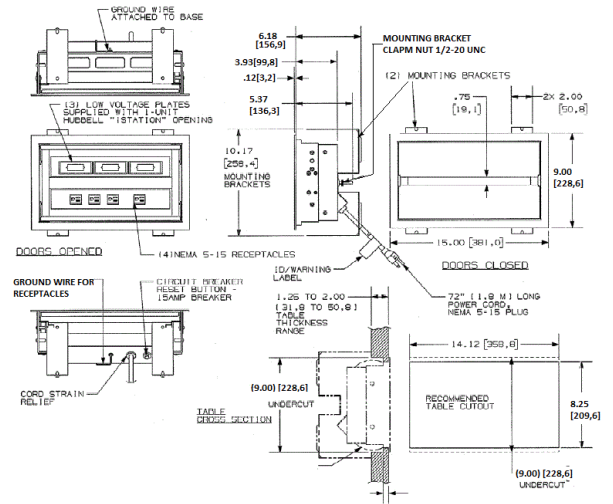


Ordering Information

Description	Finish	UPC	Catalog Number
Four pre-wired 15A	Clear Anodized	783585190556	WSBG43UBBA

Specifications

Dimensions	15.0"L x 9.0"W x 6.25"H
------------	-------------------------



Online Resources

- Customer Use Drawing
- eCatalog
- Installation Instructions

Dimensions in Inches (mm)

Hubbell Wiring Device-Kellems • Hubbell Incorporated (Delaware) • 40 Waterview Drive • Shelton, CT 06484

Phone (800) 288-6000 • Fax (800) 255-1031 • Specifications subject to change without notice.

