

**Floor Boxes**  
**Pre-Wired Work Surface Elite Series**  
**Connectivity Boxes**

# HUBBELL

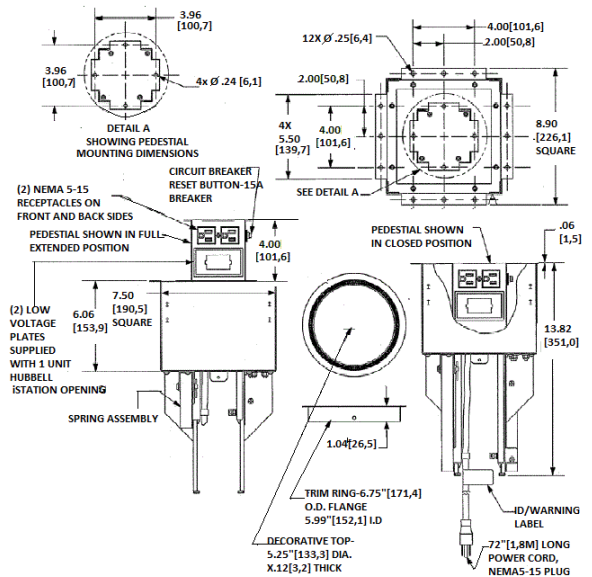
**Ordering Information**

Description	Finish	UPC	Catalog Number
Base Unit with Four	Black Anodized	783585190587	WSBH42U



**Specifications**

Dimensions	8.90"L x 8.90"W x 13.9"H
------------	--------------------------



**Online Resources**

- Customer Use Drawing
- eCatalog
- Installation Instructions

Dimensions in Inches (mm)

Hubbell Wiring Device-Kellems • Hubbell Incorporated (Delaware) • 40 Waterview Drive • Shelton, CT 06484

Phone (800) 288-6000 • Fax (800) 255-1031 • Specifications subject to change without notice.

