

**Floor Boxes**  
**Furniture and Work Surface Connectivity Boxes**  
**Replacement Low Voltage Data Plates**

# HUBBELL

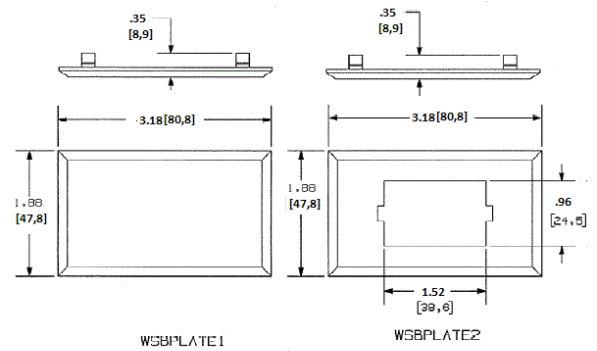


**Ordering Information**

Description	Finish	UPC	Catalog Number
Non-metallic low	Black	783585190686	WSBPLATE2

**Specifications**

Dimensions	3.18"L x 1.88"W
------------	-----------------



**Online Resources**

Customer Use Drawing  
eCatalog

Dimensions in Inches (mm)

Hubbell Wiring Device-Kellems • Hubbell Incorporated (Delaware) • 40 Waterview Drive • Shelton, CT 06484

Phone (800) 288-6000 • Fax (800) 255-1031 • Specifications subject to change without notice.

