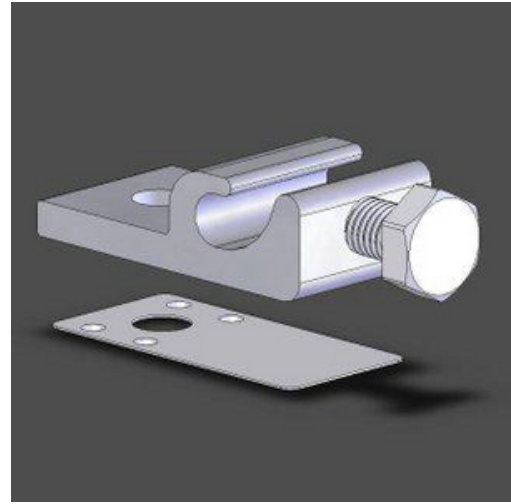




WEEB-LUG-10.3, Lay-in lug with WEEB Washer; Tin Plated Copper Lug, M10 or 3/8" hardware NOT included

By WILEY
Catalog # [WEEB-LUG-10.3](#)



Lay-in lug assembly - 100 per box, 1 assy incl (1) Tin pltd CU lug (1) 1/4-28X5/8 (1)WEEB-11.5

General

Application WEEB grounding lugs are high quality solutions for your grounding needs. The tin-plated lug assures minimum contact resistance and protection against corrosion. The low profile allows installation in a variety of positions with one solid or stranded copper wire (14 AWG to 6 AWG), or two copper wires (12 AWG to 10 AWG) secured by a 1/4-28 stainless steel screw, horizontal to the tang. The WEEB® Grounding Lug is installed using stainless steel mounting hardware. When tightened, the WEEB® washer's specialized teeth embed into coated metal surfaces or any electrically conductive metal to establish a reliable electrical connection. Available with or without varying hardware assembled or unassembled. UL467 and UL2703 listed.

Catalog Number WEEB-LUG-10.3
EU RoHS Indicator Contact Manufacturer
Item Type 4D
UPC 781810671078
UPC 12 Digit 70781810671077

Dimensions

Bolt Size 5/16 in
Dimension - Thread Size -

Certifications And Compliance

Certified Listed UL2703
Industry Standard(s) UL2703
Standards - RoHS Compliance CM
Status

Logistics

Carton Quantity 100
Pallet Quantity 14800

Product Assets

- [Brochures - WEEB Washer Guide and WEEB Washer Theory](#)
- [Catalogs - BURNDY Master Catalog - Full Line BURNDY Catalog](#)
- [Catalogs - BURNDY Master Catalog - Section E4 - Wiley Grounding](#)
- [Catalogs - BURNDY Master Catalog - Section G - Wire Management](#)
- [Certifications - Certificate of Compliance, UL 2703](#)
- [Certifications - UL Certificate of Compliance, UL 2703](#)
- [Customer Notices - Prop 65 Notice](#)
- [Interactive Catalog - BURNDY Full-Line Digital Catalog](#)
- [Sales Drawings - 50043617](#)
- [Sell Sheets - WEEB Grounding Lugs with T-Bolt Option](#)



A Hubbell brand

©2024 Hubbell Incorporated. All rights reserved
WLY-WEEBLUG103-SPEC-EN | REV 6/2024