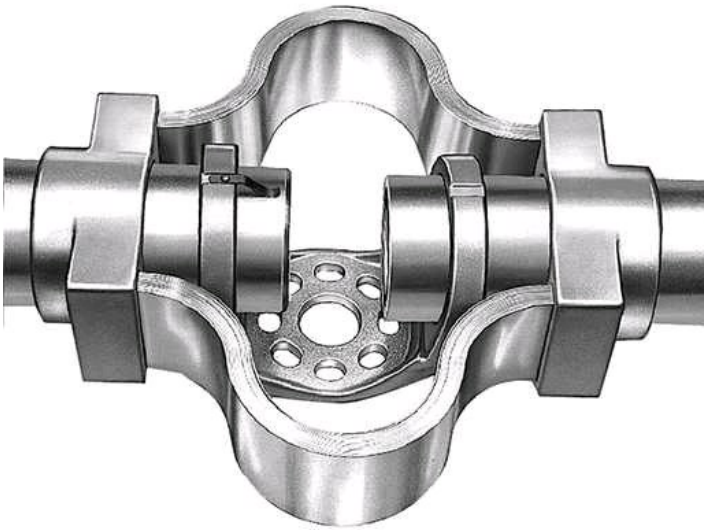


Bus Support, Aluminum Weldment

by ANDERSON
Catalog ID: WURF505

Bus Support, Aluminum Weldment, Expansion, 5 IPS Tube to Insulator, 5 in BC. SUPPORT, CPL (2) 5 IPS, 5 IN BC FLX WLD



* Representative image

Product Details

General

Material	Aluminum
Material - Mounting Hardware	Galvanized Steel
Number of Ground Braid Lug Holes	0
Type	Tube to Insulator
UPC	096359344353

Dimensions

Base Hole Spacing	0 in
Diameter - Base Holes	0 in
Diameter - Bolt	0 in
Diameter - Bolt Circle	5 in
Diameter - Inside	0 in
Length - Coupling	0 in
Length Before Compression	0 in
Weight	22.638 lb

Electrical Ratings

Maximum Current Rating Amps Continuous	0
--	---

Conductor Related

Conductor Type	Aluminum Bus
----------------	--------------

Logistics

Pallet Quantity	12 EA
-----------------	-------

For further technical assistance, please contact us

Domestic Customer Service

Hubbell Power Systems
210 N. Allen Centralia, MO 65240 USA
Phone: (573) 682-5521
Fax: (573) 682-8475
Email: hpscsc@hubbell.com

International Customer Service

Phone: +1-573-682-5521
Fax: +1-573-682-8516
Email: hpsintlcs@hubbell.com