

FueLED-R

RECESSED CANOPY LUMINAIRE

FEATURES

- Stylish vertically finned die-cast heat sink
- Designed for optimal thermal transfer and easy installation
- Made from low-copper marine-grade cast aluminum
- Optical assembly designed to exceed IP66 design standards allowing for light hose-down cleaning
- All-inclusive housing provides an integral wiring and driver compartment for ease of installation
- Replaceable LED module enables future upgrades/service for the LED light engine
- Thermal frame technology provides state-of-the-art passive cooling in the most demanding environments
- Choice of 16 high-brightness LED configurations with individual acrylic lenses to produce a square or round distribution for multiple applications
- 3500K, 80CRI; 4000K; 5100K, 70 CRI
- Dimming 0-10V standard on all models



SPECIFICATIONS

CONSTRUCTION

- One piece die-cut silicon gasket with mechanically compressed cast aluminum bezel ensures weatherproof seal around each individual LED for IP 65 rating
- Aluminum driver box above canopy

OPTICS

- Concentrated Square distributions consist of dual-optic bezel for optimal horizontal and vertical foot-candles

INSTALLATION

- Unique two-piece design allows for simple installation into 4" mounting hole
- Installs into 12" or 16" canopy deck pan
- Retro kits available for all existing luminaires

ELECTRICAL

- Universal input voltage 120-277 VAC, 50/60Hz
- Automatic thermal self-protection
- LED drivers have output power over-voltage, over-current protection and short circuit protection with auto recovery
- LED electrical assembly, including PR devices, consumes no power in the 'off' state
- Surge protection standard
- Expected life: 60,000 hours

CERTIFICATIONS

- CSA
- DesignLights Consortium qualified
- Lighting Facts
- IP65

WARRANTY

- 5 year warranty
- See [HLI Standard Warranty](#) for additional information

KEY DATA	
Lumen Range	4,397 - 19,596
Wattage Range	32 - 150
Efficacy Range (LPW)	62-130
Reported Life (Hours)	65,000
Input Current Range (Amps)	0.18 - 0.54

ORDERING GUIDE

Example: FLED-RL-HL-7-UNV-CVQ-4-WH

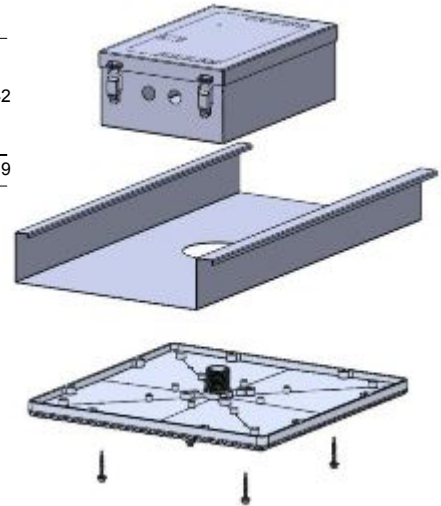
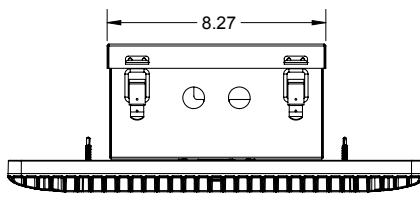
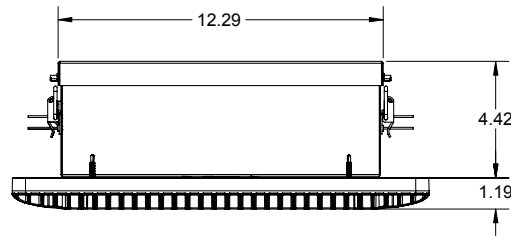
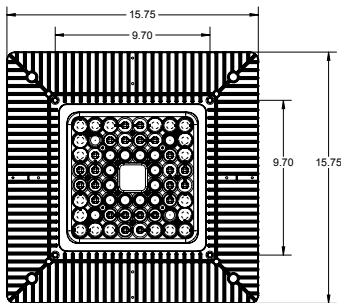
CATALOG # _____

FLED-R		7		CVQ			MP
Series	Number of LEDs	Drive Current	Voltage	Distribution	CCT	Color	Retrofit Accessories
FLED-RL LED under canopy light	24 60 Watts 36 89 Watts 48 115 Watts 60 141 Watts	7 700 mA	UNV 120-277 347 480	CVQ Concentrated Square CVD Concentrated Round	3 3500K ¹ 4 4000K 5 5100K	WH White DB Dark Bronze CC Custom/RAL Color ²	FLED-RT Surface mounted retrofit for Whiteway Vision, Riviera2, Thunderbird, 21" housing FLED-RT2 Surface mounted retrofit for Whiteway Riviera 1, LSI Masters/Dakota, 22" housing FLED-RT3 Surface Mounted for Whiteway Vision, Jet Philips, 23" housing FLED-RT18CP Retrofit kit for Whiteway Civic, LSI Richmond FLED-RT12CP 12" square backer plate for 9" mounting hole FLED-22 2x2 recessed troffer retrofit kit FLED-DSBR Double skin canopy mounting plate/ no top access mounting plate FLED-CVPLT 12" square backer plate for 9" mounting hole

Notes:

- MTO 4-8 week lead time
- Custom color requires a paint chip sample at time of ordering and RAL color requires RAL number to be provided at time of ordering

DIMENSIONS



*36" Length of wire out of fixture

PERFORMANCE SUMMARY

Distribution	Engine	Delivered Lumens	No. of LEDs	CCT	Wattage	Lumens per watt	Replaces
CVQ Concentrated Square	24-N-700	5,750	24	5100K	60	99	175W
	36-N-700	9,186	36		89	103	250W
	48-N-700	12,032	48		115	105	320W
	60-N-700	15,170	60		141	108	400W
CVD Concentrated Round	24-N-700	5,750	24	5100K	60	99	175W
	36-N-700	9,186	36		89	103	250W
	48-N-700	12,032	48		115	105	320W
	60-N-700	15,170	60		141	108	400W

All Performance data has been acquired by physical test reports conducted to LM-79-08 standards in a controlled testing laboratory.

FueLED-R

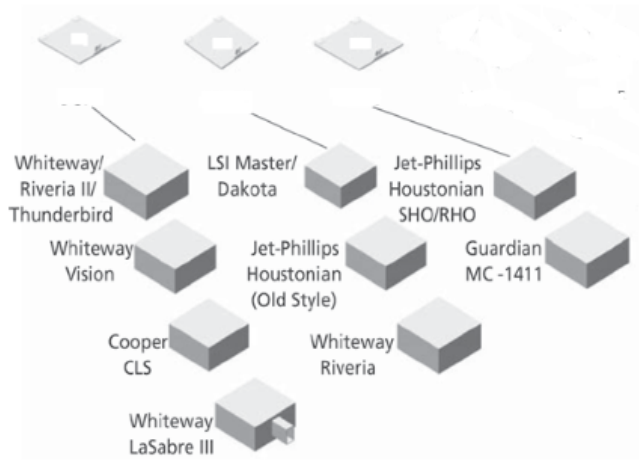
RECESSED CANOPY LUMINAIRE

FLED-RT

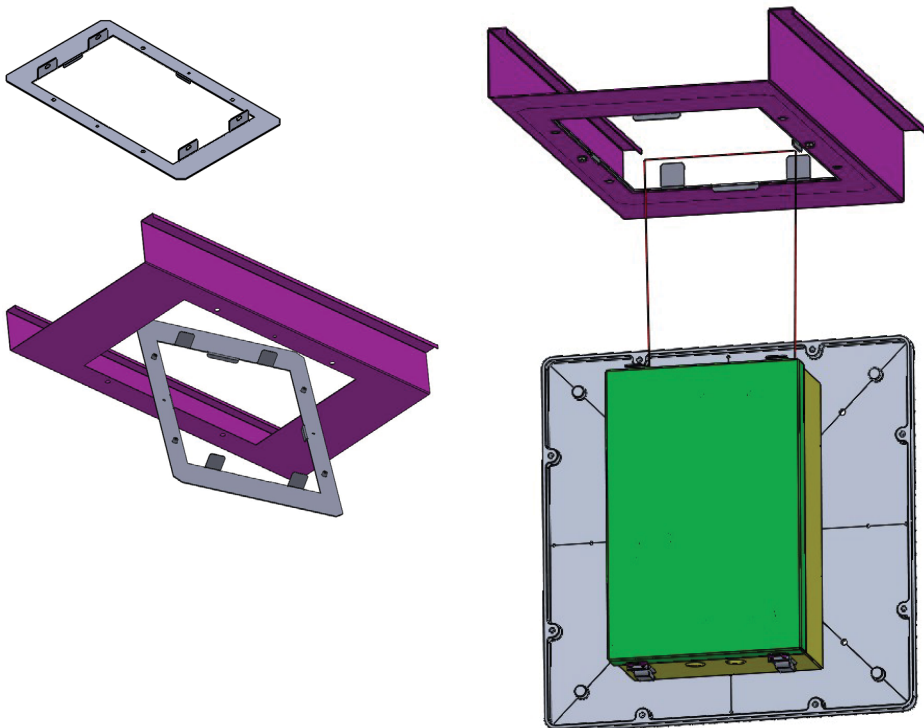
RETROTRIM SYSTEM CANOPY LIGHTING



Catalog Number	Description
FLED-RT1	Fixture size: 21 1/8" square; min. 6" above flange opening range: 18 13/16"; White Riviera II / Thunderbird/vision/LeSabre III; Cooper CLS
FLED-RT2	Fixture size: 23" square; min. 6" above flange; flange opening range
FLED-RT3	Fixture size: 21 3/4" square through 22" square; min. 6" above flange; flange opening range: 19 3/4" through 20 7/32"; Jet Phillips Houstonian SHO/RHO; Guardian MC-1411

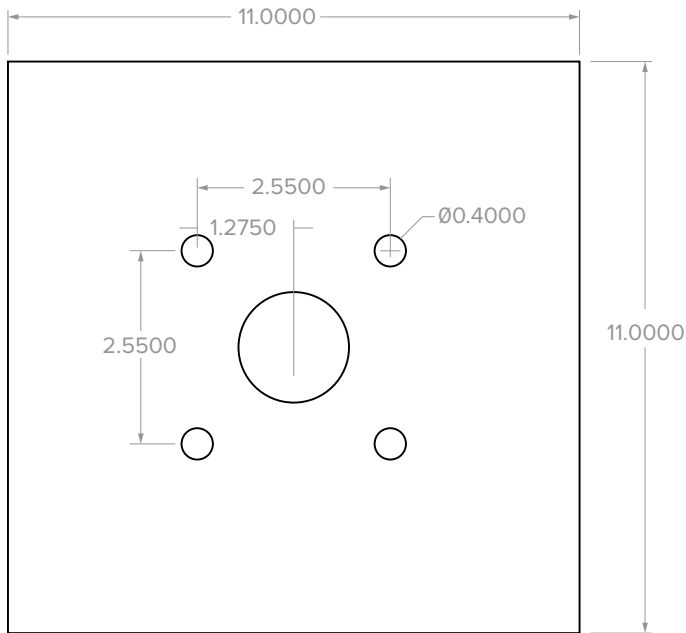


MOUNTING PLATE FOR DOUBLE DECK CANOPY

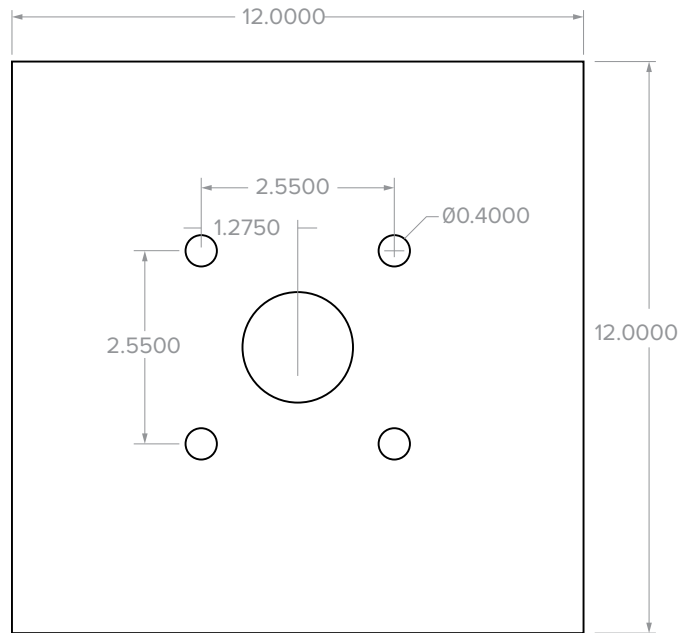


COVER PLATES

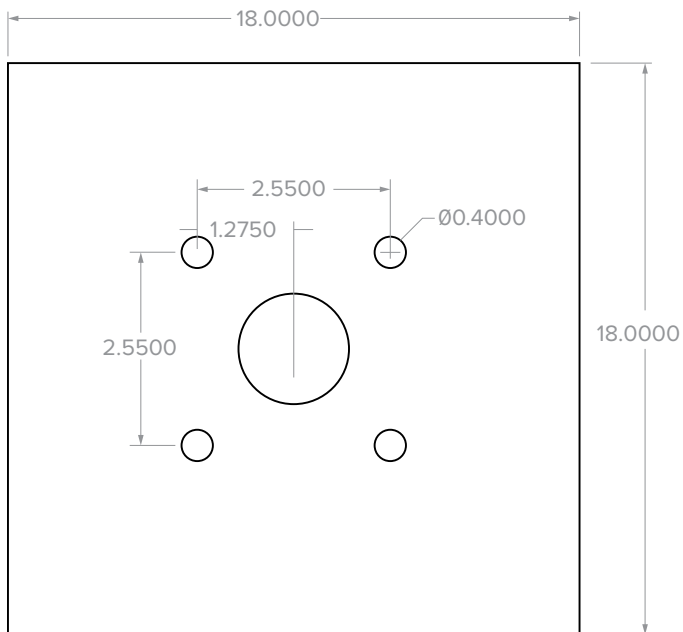
FLEDCVPLT 11"X11" COVER PLATE



FLED12CP* 12"X12" COVER PLATE



FLED18CP* 12"X12" COVER PLATE

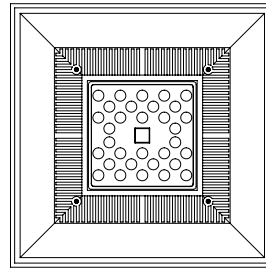
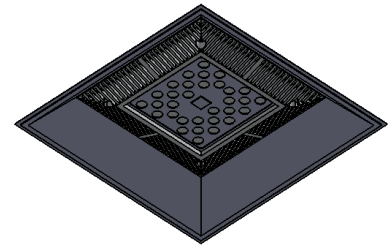
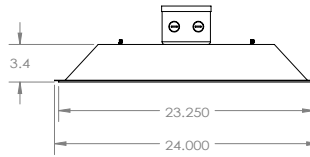
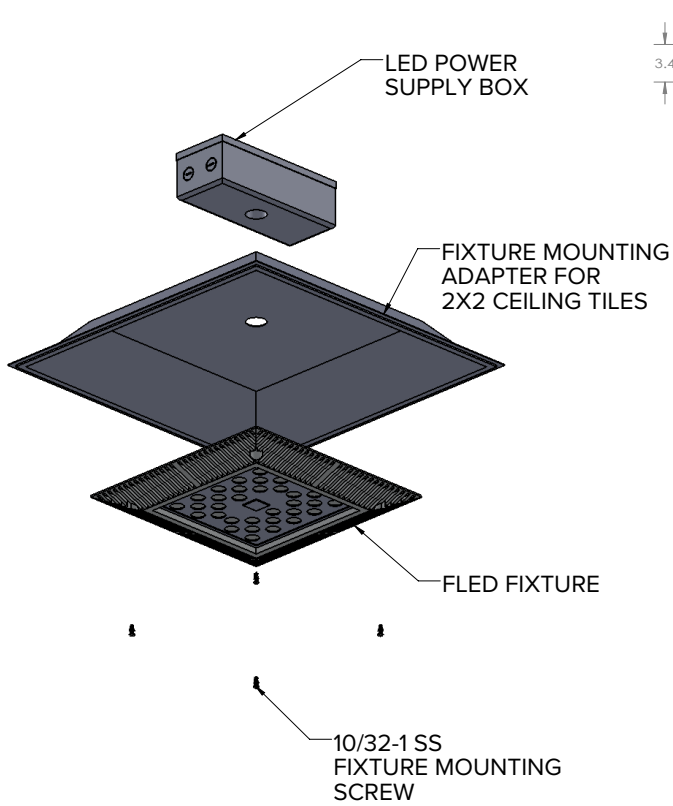


* Custom Sizes Available Upon Request

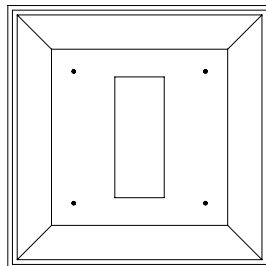
FueLED-R RECESSED CANOPY LUMINAIRE

FLED 2X2 LED LUMINAIRE

Designed for 2x2 grid applications with the FLED



FRONT VIEW



BACK VIEW