

| | |
|------------|-----------|
| DATE: | LOCATION: |
| TYPE: | PROJECT: |
| CATALOG #: | |

Vanish

PETROLEUM GAS CANOPY



FEATURES

- Edge-Lit technology for even illumination
- Low profile 2.1" depth design virtually disappears into the canopy
- Illuminates without distraction and glare
- Pendant or surface mounted with 3/4" conduit
- Universal retrofit solution for HID replacements for various sizes
- IP65 rating to keep water and insects out
- Cast Aluminum with integral heat sink to maintain optimal thermal performance for long LED life Cast aluminum



SPECIFICATIONS

CONSTRUCTION

- Die-cast aluminum, low profile housing
- New construction or retrofit solution
- Canopy and soffit applications
- Easy installation
- Driver and optical chamber serviceable from below canopy
- Powder coat finish
- Heat sink design to disperse heat away from fixture
- Suitable for wet locations

INSTALLATION

- Surface or pendant mounted
- Easy installation and serviceable below the canopy deck
- Hinge for hanging during service

CERTIFICATIONS

- UL Certified
- DesignLights Consortium™ 5.1 qualified
- Wet Location Listed
- IP66
- DLC® (DesignLights Consortium Qualified), with some Premium Qualified configurations. Please refer to the DLC website for specific product qualifications at www.designlights.org

OPTICS

- Acrylic Lens
- Type V distribution
- Comfort lens for low glare
- Light Guide Edge-Lit technology

ELECTRICAL

- Universal 120-277 , 347, 480 Input Voltage
- Power Factor > 0.9 at full load
- Total Harmonic Distortion < 20% at full load
- 10 kV Surge Protection
- 0-10 Volt Dimmable Driver
- Operating temperature: -40°C to +40°C

WARRANTY

- 5 year warranty
- See [HLI Standard Warranty](#) for additional information

ORDERING GUIDE

Example: VSH-85-5K7-UNV-WHG

CATALOG #

| VSH | | | | | |
|------------|------|------------|---------------|--------|-----------------------|
| Series | Size | Color Temp | Voltage | Finish | |
| VSH Vanish | 30' | 4K7 | UNV Universal | WHG | Petroleum White |
| | 55 | 5K7 | 347 347V | DBS | Petroleum Dark Bronze |
| | 85 | | 480 480V | BLS | Petroleum Black |
| | 140 | | | | |

Notes:

- 1 Only available in Universal Voltage

| KEY DATA | |
|-----------------------|----------------|
| Lumen Range | 4,500 – 20,200 |
| Wattage Range | 30 – 140 Watts |
| Efficacy Range (LPW) | 138 – 157 |
| Reported Life (Hours) | >60,000 |

Vanish

PETROLEUM GAS CANOPY

STOCK ORDERING INFORMATION

| Catalog Number | Stock Number | Wattage | Voltage | CCT/CRI | Finish |
|----------------|--------------|---------|---------|--------------|-----------------|
| VSH-85-4K7 | 93133024 | 85W | UNV | 5000K/70 CRI | Petroleum White |
| VSH-140-5K7 | 93139554 | 140W | UNV | 5000K/70 CRI | Petroleum White |

PERFORMANCE DATA

| Product | Lumens | B | U | G | LPW | CRI | CCT |
|-------------|--------|---|---|---|-----|-----|-------|
| VSH-30-4K7 | 4564 | 2 | 0 | 1 | 150 | 70 | 4000K |
| VSH-30-5K7 | 4793 | 2 | 0 | 1 | 157 | 70 | 5000K |
| VSH-55-4K7 | 8846 | 3 | 0 | 2 | 153 | 70 | 4000K |
| VSH-55-5K7 | 9069 | 3 | 0 | 2 | 157 | 70 | 5000K |
| VSH-85-4K7 | 13296 | 3 | 0 | 2 | 152 | 70 | 4000K |
| VSH-85-5K7 | 13666 | 3 | 0 | 2 | 157 | 70 | 5000K |
| VSH-140-4K7 | 19649 | 4 | 0 | 3 | 138 | 70 | 4000K |
| VSH-140-5K7 | 20196 | 4 | 0 | 3 | 142 | 70 | 5000K |

Data is considered to be representative of the configurations shown. Actual performance may differ as a result of end-user environment application and inherent performance balances of the electrical components.

PROJECTED LUMEN MAINTENANCE

| Ambient Temperature | OPERATING HOURS | | | | | |
|---------------------|-----------------|--------|--------|-------------------------|---------|----------------|
| | 0 | 25,000 | 50,000 | TM-21-11' L96 60,000 | 100,000 | L70 (Hours) |
| 25°C / 77°F | 1.00 | 0.94 | 0.92 | 0.90 | 0.81 | >170,000 |
| 40°C / 104°F | 0.99 | 0.94 | 0.92 | 0.89 | 0.80 | >160,000 |

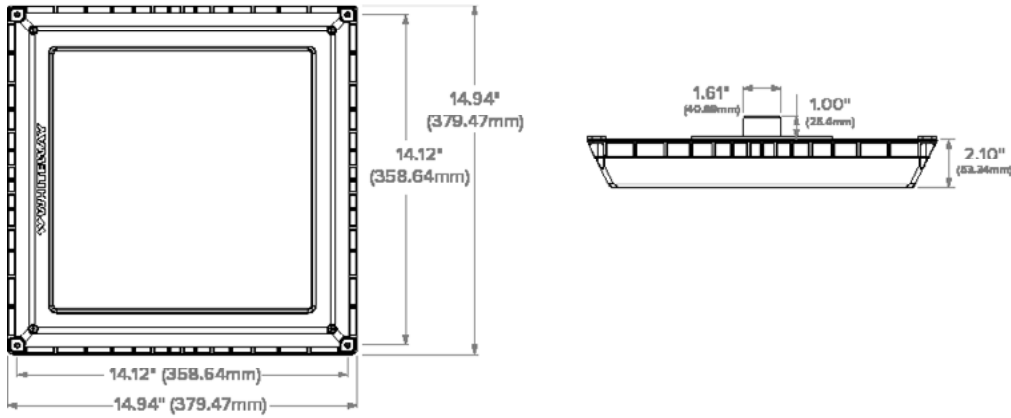
LUMINAIRE AMBIENT TEMPERATURE FACTOR (LATF)

| Ambient Temperature | | Lumen Multiplier |
|---------------------|-------|------------------|
| 0°C | 32°F | 1.03 |
| 10°C | 50°F | 1.01 |
| 20°C | 68°F | 1.00 |
| 25°C | 77°F | 1.00 |
| 30°C | 86°F | 0.99 |
| 40°C | 104°F | 0.98 |
| 50°C | 122°F | 0.97 |

Vanish

PETROLEUM GAS CANOPY

DIMENSIONS



MOUNTING ACCESSORIES

Accessories (order separately)

- 93133148** WHITEWAY 15 IN CVR PLT WHT VSH/GSY Retrofit cover plate for LSI Encore 15" square-replacement for 10" opening
- 93133149** WHITEWAY DECORATIVE CVR PLT VSH/GSY 26" Decorative Beauty Plate for Canopy Retrofits
- 93133151** WHITEWAY HID RETRFT KIT WHT VSH/GSY Universal HID retrofit kit (fits any square HID housing between 21" & 23" square.)
- 93133177** WHITEWAY STEM AND JUNCTION BOX

93133148



93133149



93133151

• Measure outside dimension of existing housing



93133177

