

## Features

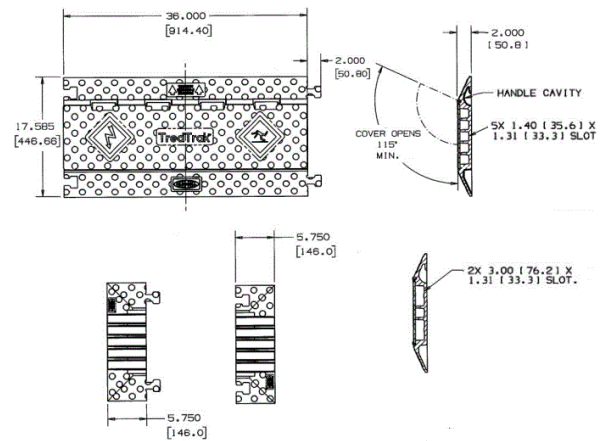
- High density polyurethane construction supports heavy loads and is weather resistant
- Modular interlocking design for easy installation, breakdown and storage
- Safety surface pattern reduces slipping and skidding
- High visibility safety blue and yellow colors

## Ordering Information

**Dimensions**  
1.95 in x 5.75 in x 17.5 in

**UPC**  
783585174037

**Catalog Number**  
HBLTRED5ECB



## Online Resources

- Customer Sales Drawings
- eCatalog
- Installation Instructions