

Features

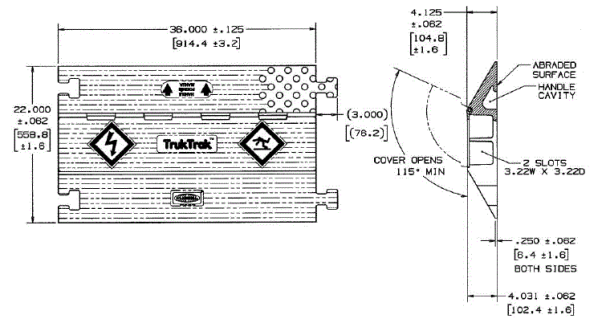
- High density polyurethane construction supports heavy loads and is weather resistant
- Modular interlocking design for easy installation, breakdown and storage
- Safety surface pattern reduces slipping and skidding
- High visibility safety blue and yellow colors

Ordering Information

Dimensions
3 ft x 22 in x 4.13 in

UPC
783585537122

Catalog Number
HBLTT2B



Online Resources

- Customer Sales Drawings
- eCatalog
- Installation Instructions