

Ordering Information

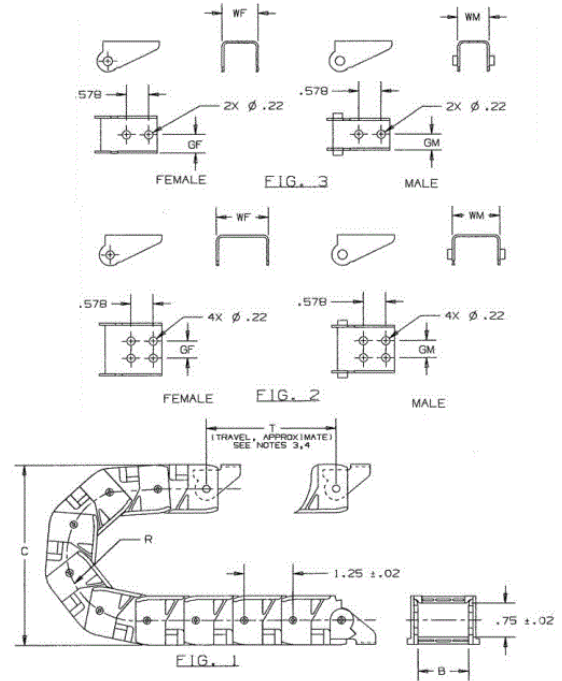
Color Black	UPC 783585343723	Catalog Number HCTBK101
-----------------------	----------------------------	-----------------------------------

Specifications

Application	Cable and Hose Carrier
--------------------	------------------------

Performance

Environmental	
Maximum Operating Speed	600 FPM (feet per minute), 180 MPM (meters per minute)
Operating Temperature	Continuous +20°F to +100°F (-7°C to 38°C); Intermittent* -40°F to +220°F (-40°C to 104°C).



Online Resources

- Customer Sales Drawings
- eCatalog
- Installation Instructions