

Panel Safe, 2) Cat5e, 1) 15A 125V Receptacle, NEMA 12/4 Enclosure

Features

- Protective clear cover
- Overcurrent protection
- Finger-safe contacts
- Stainless steel snap latch

Ordering Information

Color	UPC	Catalog Number
Gray, Clear	783585320786	P155E2

Listings

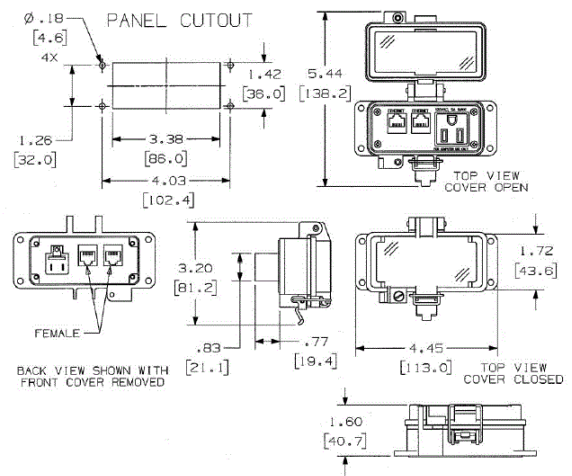
CSA Certified, UL Recognized

Specifications

Special Features	Standard Product
5.5 in	Width
2.5 in	Depth
2.5	Enclosure

Performance

Electrical	
Circuit Breaker	3A
Data Jack	Cat. 5e
GFCI	Conforms to UL 943 2006 requirement
In-Cabinet Receptacle	GFCI protected
Environmental	
Enclosure	NEMA Type 4, 12 and NEMA Type 4X



Online Resources

- Customer Sales Drawings
- eCatalog
- Installation Instructions