

**Panel Safe, 1) Micrologix Port, 1) 15A 125V Receptacle, NEMA 12/4 Enclosure**

**Features**

- Protective clear cover
- Overcurrent protection
- Finger-safe contacts
- Stainless steel snap latch

**Ordering Information**

<b>Color</b> Gray, Clear	<b>UPC</b> 783585093475	<b>Catalog Number</b> P15ML8F8MC10
-----------------------------	----------------------------	---------------------------------------

**Listings**

CSA Certified, UL Recognized

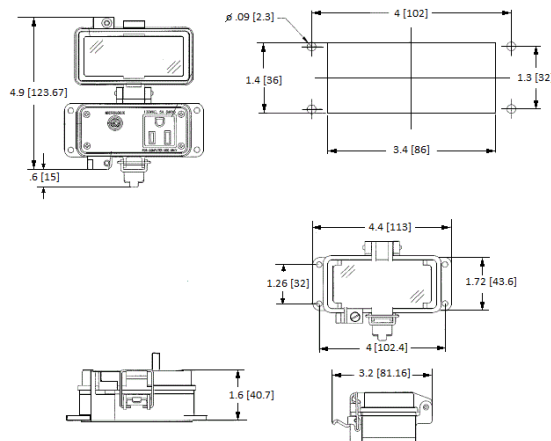
**Specifications**

<b>Special Features</b>	Standard Product
5.5 in	Width
2.5 in	Depth
2.5	Enclosure

**Performance**

<b>Electrical</b>	
Circuit Breaker	3A
Data Jack	Cat. 5e
GFCI	Conforms to UL 943 2006 requirement
In-Cabinet Receptacle	GFCI protected

<b>Environmental</b>	
Enclosure	NEMA Type 4, 12 and NEMA Type 4X



**Online Resources**

- Customer Sales Drawings
- eCatalog
- Installation Instructions