

Industrial Ethernet, NEMA 4X Enclosure, Cat5e, 15A 125V Receptacle,

Features

- Protective clear cover
- Overcurrent protection
- Finger-safe contacts
- Stainless steel snap latch

Ordering Information

Color	UPC	Catalog Number
Gray, Clear	783585524771	P4X155E

Listings

CSA Certified, UL Recognized

Specifications

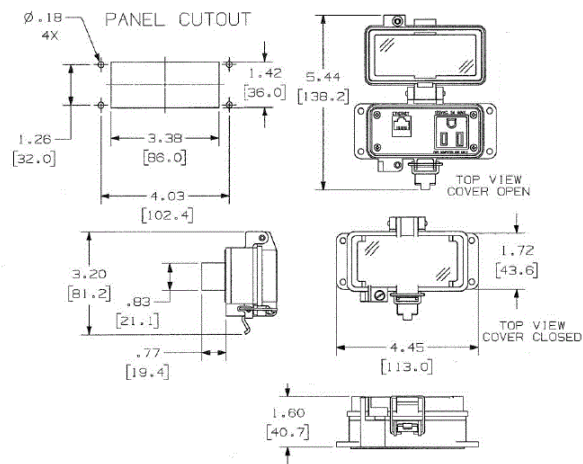
Special Features	Standard Product
Application	15A 125V Power and Cat 5e Ethernet Access
4.3 in	Width
2.8 in	Depth
1.7	Enclosure

Performance

Electrical	
Circuit Breaker	3A
Data Jack	Cat. 5e
GFCI	Conforms to UL 943 2006 requirement
In-Cabinet Receptacle	GFCI protected

Environmental

Enclosure	NEMA Type 4, 12 and NEMA Type 4X
-----------	----------------------------------



Online Resources

Customer Sales Drawings
eCatalog
Installation Instructions