

## Features

- Protective clear cover
- Overcurrent protection
- Finger-safe contacts
- Stainless steel snap latch

## Ordering Information

<b>Color</b>	<b>UPC</b>	<b>Catalog Number</b>
Gray, Clear	783585524795	P4X5E

## Listings

CSA Certified, UL Recognized

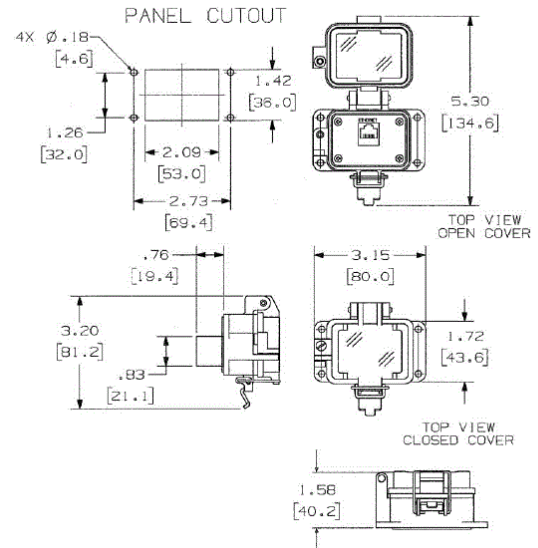
## Specifications

Special Features	Standard Product
Application	Cat 5e Ethernet Access
Height	3.4 in
Width	2.8 in
Depth	2.3
Enclosure	NEMA 4X

## Performance

<b>Electrical</b>	
Circuit Breaker	3A
Data Jack	Cat. 5e
GFCI	Conforms to UL 943 2006 requirement
In-Cabinet Receptacle	GFCI protected

<b>Environmental</b>	
Enclosure	NEMA Type 4, 12 and NEMA Type 4X



## Online Resources

Customer Sales Drawings  
eCatalog  
Installation Instructions