

## Industrial Ethernet, NEMA 12/4 Enclosure, 15A 125V, GFCI Receptacle, with 3A Circuit Breaker

### Features

- Protective clear cover
- Overcurrent protection
- Finger-safe contacts
- Stainless steel snap latch

### Ordering Information

<b>Color</b> Gray, Clear	<b>UPC</b> 783585524764	<b>Catalog Number</b> PR205EB
-----------------------------	----------------------------	----------------------------------

### Listings

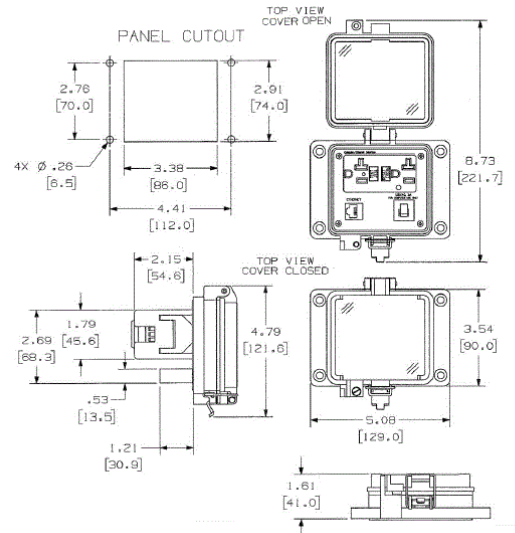
CSA Certified, UL Recognized

### Specifications

Special Features	Standard Product
Current / Amperage Rating	15 A
Height	5.1 in
Width	4.1 in
Depth	3.6
Enclosure	NEMA 12/4

### Performance

<b>Electrical</b>	
Circuit Breaker	3A



### Online Resources

Customer Sales Drawings  
eCatalog  
Installation Instructions