

Panel Safe

Panel Safe, 1) 15A 125V GFCI, 1) Cat5E, 1) DB9, With 3A Circuit Breaker

Features

- Protective clear cover
- Overcurrent protection
- Finger-safe contacts
- Stainless steel snap latch

Ordering Information

Color Gray, Clear	UPC 783585358550	Catalog Number PR205EDB9B
----------------------	---------------------	------------------------------

Listings

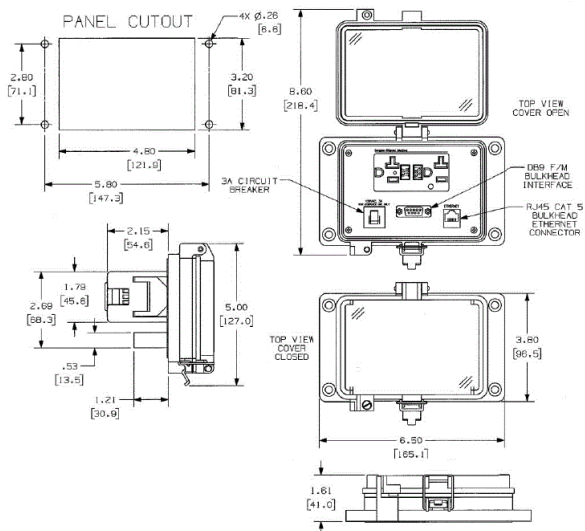
CSA Certified, UL Recognized

Specifications

Special Features	Standard Product
Current / Amperage Rating	15 A
Height	4.9 in
Width	3.6 in
Enclosure	NEMA 12/4

Performance

Electrical	
Circuit Breaker	3A



Online Resources

- Customer Sales Drawings
- eCatalog
- Installation Instructions