

## Industrial Ethernet, NEMA 12/4 Enclosure, Cat 5e, GFCI Receptacle

### Features

- Protective clear cover
- Overcurrent protection
- Finger-safe contacts
- Stainless steel snap latch

### Ordering Information

<b>Color</b> Gray, Clear	<b>UPC</b> 783585524757	<b>Catalog Number</b> PR205E
-----------------------------	----------------------------	---------------------------------

### Listings

CSA Certified, UL Recognized

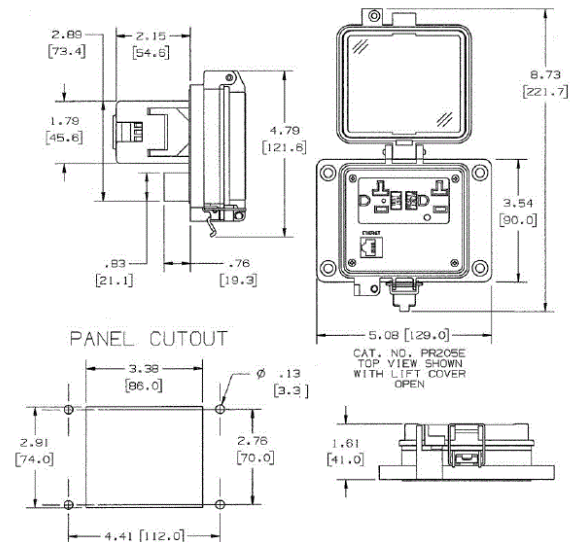
### Specifications

Special Features	Standard Product
Current / Amperage Rating	15 A
Height	5.1 in
Width	4.8 in
Depth	3.2
Enclosure	NEMA 12/4

### Performance

<b>Electrical</b>	
Circuit Breaker	3A
Data Jack	Cat. 5e
GFCI	Conforms to UL 943 2006 requirement
In-Cabinet Receptacle	GFCI protected

<b>Environmental</b>	
Enclosure	NEMA Type 4, 12



### Online Resources

- Customer Sales Drawings
- eCatalog
- Installation Instructions