

Industrial Ethernet, NEMA 12/4 Enclosure, 15A 125V, GFCI Receptacle

Features

- Protective clear cover
- Finger-safe contacts
- Stainless steel snap latch

Ordering Information

Color Gray, Clear	UPC 783585524825	Catalog Number PR20
-----------------------------	----------------------------	-------------------------------

Listings

CSA Certified, UL Recognized

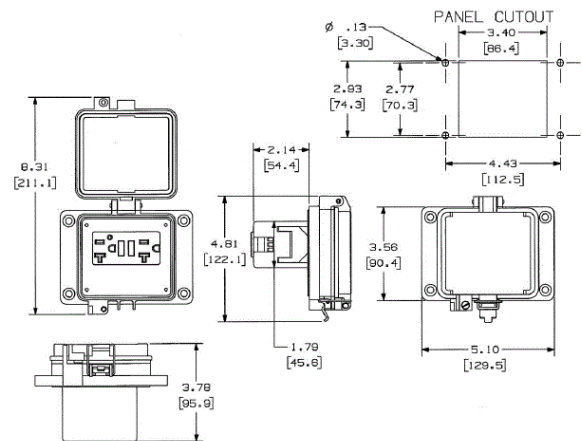
Specifications

Special Features	Standard Product
Current / Amperage Rating	15 A
Height	5.1 in
Width	4.3 in
Depth	4.6
Enclosure	NEMA 12/4

Performance

Electrical	
GFCI	Conforms to UL 943 2006 requirement
In-Cabinet Receptacle	GFCI protected

Environmental	
Enclosure	NEMA Type 4 and 12



Online Resources

Customer Sales Drawings
eCatalog
Installation Instructions