

## Industrial Ethernet, NEMA 4X Enclosure, Cat5e, 15A 125V, GFCI Receptacle with 3A Circuit Breaker

### Features

- Protective clear cover
- Overcurrent protection
- Finger-safe contacts
- Stainless steel snap latch

### Ordering Information

<b>Color</b> Gray, Clear	<b>UPC</b> 783585524818	<b>Catalog Number</b> PR4X205EB
-----------------------------	----------------------------	------------------------------------

### Listings

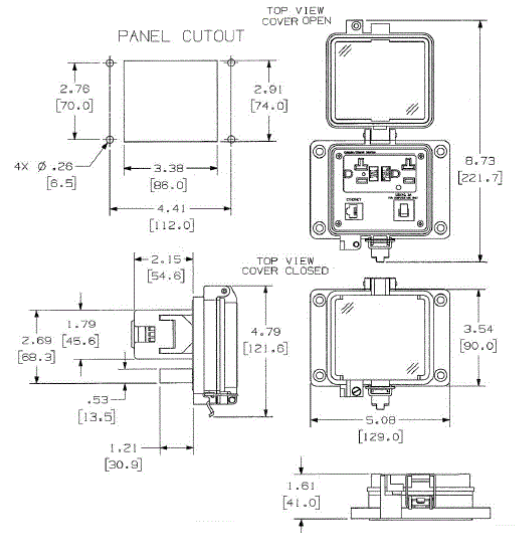
CSA Certified, UL Recognized

### Specifications

Special Features	Standard Product
Current / Amperage Rating	15 A
Height	5.3 in
Width	3.4 in
Depth	3.2
Enclosure	NEMA 4X

### Performance

<b>Electrical</b> Circuit Breaker	3A
--------------------------------------	----



### Online Resources

Customer Sales Drawings  
eCatalog  
Installation Instructions