

## Industrial Ethernet, NEMA 4X Enclosure, Cat5e, 15A 125V, GFCI Receptacle

### Features

- Protective clear cover
- Overcurrent protection
- Finger-safe contacts
- Stainless steel snap latch

### Ordering Information

<b>Color</b> Gray, Clear	<b>UPC</b> 783585524801	<b>Catalog Number</b> PR4X205E
-----------------------------	----------------------------	-----------------------------------

### Listings

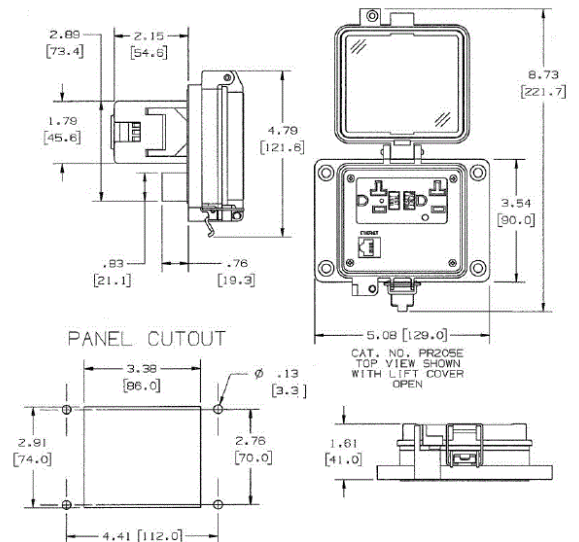
CSA Certified, UL Recognized

### Specifications

Special Features	Standard Product
Current / Amperage Rating	15 A
Height	4.9 in
Width	3.6 in
Enclosure	NEMA 4X

### Performance

<b>Electrical</b>	
Circuit Breaker	3A



### Online Resources

- Customer Sales Drawings
- eCatalog
- Installation Instructions