

TradeSelect

15 A, 125 VAC, 2-Pole, 3-Wire Grounding

Receptacles, Residential Grade, Tamper Resistant Duplex

Features

- Smooth indented face appearance
- Tough thermoplastic ultrasonically welded cover and base
- Elongated strap with continuous plaster ears to secure device

Ordering Information

Color Light Almond	UPC 883778301605	Catalog Number RR15QLATR
------------------------------	----------------------------	------------------------------------

Listings

CSA Certified;UL Listed E2186

Specifications

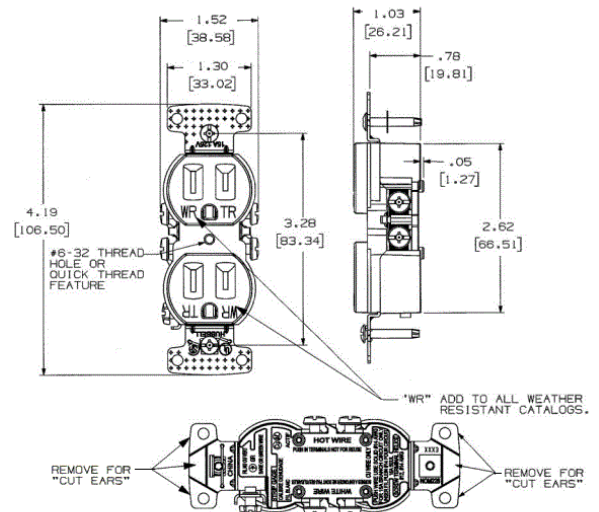
NEMA Rating	5-15R
Wire Size	#14 AWG to #12 AWG
Wattage	1875
Environmental Conditions	Indoor Dry Unless Protected By Additional Means
Special Features	Tamper Resistant- Self Grounding, Quick Thread
Phase	Single Phase

Performance

Environmental Operating temperature	20°C to 60°C
---	--------------

Mechanical Terminal	Terminal screws accepts up to #12 AWG, Push wire designed for #14 AWG solid copper wire only
-------------------------------	--

HUBBELL



Online Resources

Customer Sales Drawings
eCatalog

Dimensions in Inches (mm)

Hubbell Wiring Device-Kellems • Hubbell Incorporated (Delaware) • 40 Waterview Drive • Shelton, CT 06484

Phone (800) 288-6000 • Fax (800) 255-1031 • Specifications subject to change without notice.

