

TradeSelect

15 A, 125 VAC, 2-Pole, 3-Wire Grounding

Residential Grade, Receptacles, Weather and Tamper Resistant, Duplex

HUBBELL

Features

- Weather-resistance complies with national electrical code requirements
- Tamper-resistant shutter complies with national electrical code requirements
- Smooth indented face appearance
- Multiple-drive Slot/Phillips/Robertson head screws
- Tough thermoplastic ultrasonically welded cover and base



15A 125V AC
NEMA 5-15R
UL CSA
0.5 HP



Ordering Information

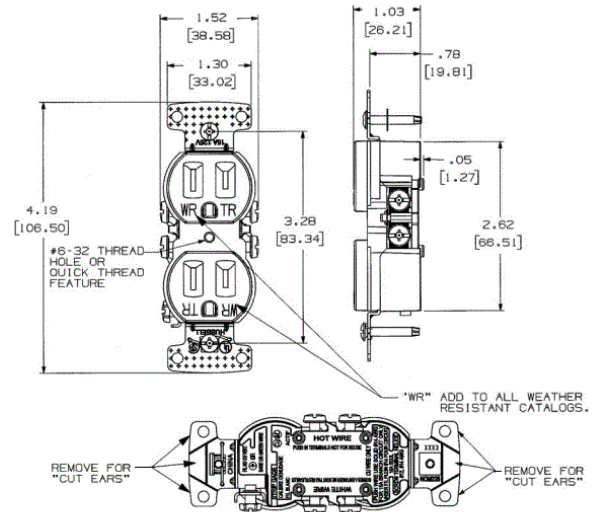
Color White	UPC 883778303050	Catalog Number RR15SWWRTR
-----------------------	----------------------------	-------------------------------------

Listings

Certified to CSA, C22.2, No. 42; NEMA® WD-6 Compliant; UL Listed to UL498 File No. E2186

Specifications

NEMA Rating	5-15R
Wire Size	#14 AWG to #12 AWG
Wattage	1875
Environmental Conditions	Weather Resistant
Special Features	Weather and Tamper Resistant- Self Grounding
Phase	Single Phase



Performance

Electrical	
Current Interrupting	Certified for current interrupting at full rated current; Electrical
Dielectric Voltage	Withstands 2,000V minimum
Mechanical	
Terminal Identification	Terminals identified in accordance with UL 498 and CSA C22.2, No. 42
Environmental	
Flammability	UL 94 V-0
Operating temperature	20°C to 60°C, without impact
Product Identification	Ratings are a permanent part of the device
Push Wire Accommodation	#14 AWG solid copper wire only
Terminal Accommodation	#14-#10 AWG copper stranded or solid conductor only

Online Resources

- Customer Sales Drawings
- eCatalog
- Installation Instructions

Dimensions in Inches (mm)

Hubbell Wiring Device-Kellems • Hubbell Incorporated (Delaware) • 40 Waterview Drive • Shelton, CT 06484

Phone (800) 288-6000 • Fax (800) 255-1031 • Specifications subject to change without notice.

