

Table of Contents

Accessories

Photocell Options

Egress

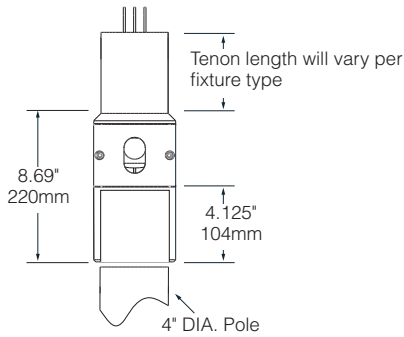
Other Accessories



JOB	_____
TYPE	_____
NOTES	_____

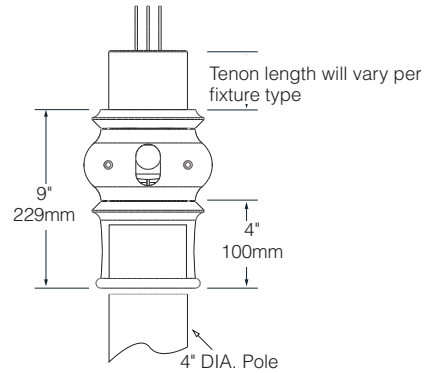
PHOTOCELL

PCA-C



Rotatable photocell housing. The photocell can be aimed away from stray light sources for an accurate setting. The photocell is also shielded from light emissions from the fixture. The housing slips over a 4"/100mm O.D. pole. a fixture or arm slips over the 4"/100mm O.D. tenon. Includes an internal twist lock receptacle, and an access cover with integral lens and stainless steel tether. Adds 4.5"/114mm to the overall height of the pole/fixture assembly. Rewired on the load side and line side for easy installation. Photocell by others.

PCA-T

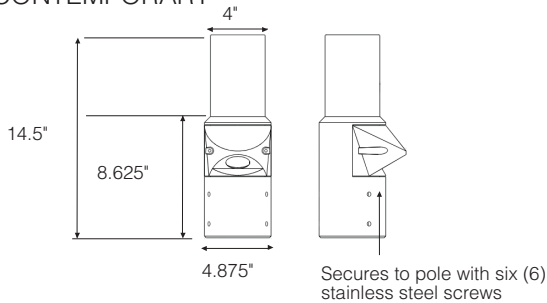


Rotatable photocell housing. The photocell can be aimed away from stray light sources for an accurate setting. The photocell is also shielded from light emissions from the fixture. The housing slips over a 4"/100mm O.D. pole. a fixture slips over the 4"/100mm O.D. tenon. Includes an internal twist lock receptacle, and an access cover with integral lens and stainless steel tether. Adds 5"/125mm to the overall height of the pole/fixture assembly. Rewired on the load side and line side for easy installation. Photocell by others.

EGRESS

EPA-C

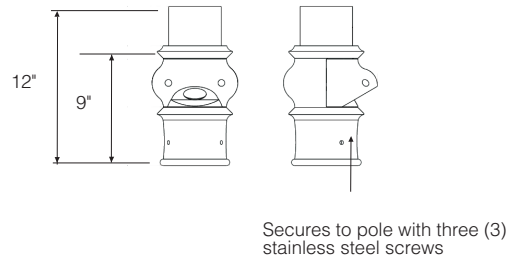
CONTEMPORARY



The Contemporary Egress Post Top Adapter can be integrated into an existing non-egress-fitted pole application to provide code-required egress illumination. This adapter features 360° rotation for easy field adjustments. It also features an adjustable bracket that can be positioned between 15-45°, so concise, direct illumination can be provided onto the path of egress. The Egress PTA is wired to an auxiliary 120 volt power source that activates the lower-wattage MR16 in the event of an emergency or power interruption. The housing slips over a 4"/100mm O.D. pole. It includes an access cover with an integral lens and a lanyard safety cable. The contemporary model is 14 1/2" tall, but only adds 3 5/8" to the overall height of the pole. Rewired on both the load side and line side for easy installation.

EPA-T

TRADITIONAL



The Traditional Egress Post Top Adapter can be integrated into an existing non-egress-fitted pole application to provide code-required egress illumination. This adapter features 360° rotation for easy field adjustments. It also features an adjustable bracket that can be positioned between 15-45 degrees, so concise, direct illumination can be provided onto the path of egress. The Egress PTA is wired to an auxiliary 120 volt power source that activates the lower-wattage MR16 in the event of an emergency or power interruption. The housing slips over a 4"/100mm O.D. pole. It includes an access cover with an integral lens and a lanyard safety cable. The traditional model is 12" tall, but only adds 3 5/8" to the overall height of the pole. Rewired on both the load side and line side for easy installation.

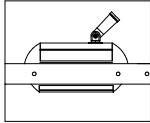


ARCHITECTURAL AREA LIGHTING
 17760 Rowland Street | City of Industry | CA 91748
 P 626.968.5666 | F 626.369.2695 | www.aal.net
 Copyright © 2016 February 15, 2018 8:40 AM

JOB _____
 TYPE _____
 NOTES _____

BPC12 - BPC27

Swivel type photocell with adjustable swivel for aiming. Requires field wiring. Consult factory for specific fixture availability.



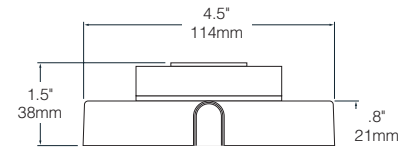
PHC

Button type photocell and cast shield. Standard location is 12" down from top of pole. Specify voltage.



PCR

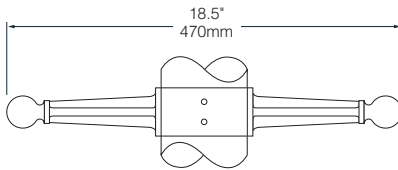
Low profile twist lock photocell receptacle with cast pole cap top. Secures to the top of the pole with three stainless steel set screws. Photocell by others.



OTHER ACCESSORIES

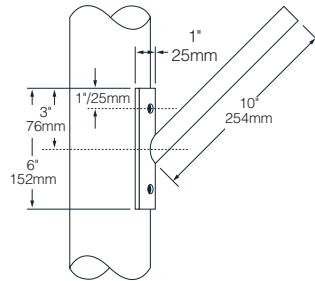
LR

Ladder rest. Slips over a 4"/100mm O.D. pole



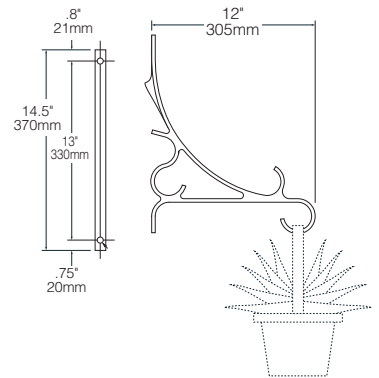
FH

Flag holder. (Specify location on pole)



PLT

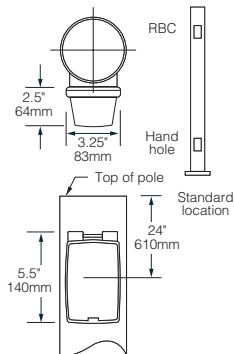
Plant Hanger. For 4"/100mm O.D. poles. (Specify location on pole, holds up to 25 lbs.)



RBC

Cast aluminum receptacle housing, integrally welded to the pole. Includes a NEC approved clear weatherproof in-use cover. Does not include a receptacle or internal wiring.

(Standard RBC is 24" below the top of the pole. Consult factory for alternative locations, which may require additional factory reinforcement)



GFI (with RBC)

Ground Fault Interrupter. Wet location receptacle. Standard location is 24" down from top of pole.

FS1

Single weatherproof fuse holder. Fuse by others.

FS2

Double weatherproof fuse holder. Fuse by others.

Note: Fuse supplied and installed by others.

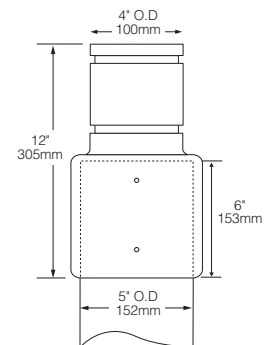


AD4

This adapter is to be used only with standard AAL arms and post top mount fixtures to slip over a 4"/100mm O.D. pole.

AD5

This adapter is to be used only with standard AAL arms and post top mount fixtures that slip over a 4" O.D. pole. The AD5 is a cast aluminum adapter that slips into the arm or (PM option on the UCM) and slips over a 5"/125mm O.D. pole.



**BANNER ARMS
BREAKAWAY ARMS**

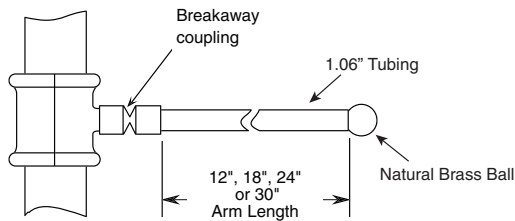
CATALOG NO.
BANNER ARMS

BBS4-12	Single assembly for 4" O.D. pole, 12" arm.
BBS4-18	Single assembly for 4" O.D. pole, 18" arm.
BBS4-24	Single assembly for 4" O.D. pole, 24" arm.
BBS4-30	Single assembly for 4" O.D. pole, 30" arm.
BBS5-12	Single assembly for 5" O.D. pole, 12" arm.
BBS5-18	Single assembly for 5" O.D. pole, 18" arm.
BBS5-24	Single assembly for 5" O.D. pole, 24" arm.
BBS5-30	Single assembly for 5" O.D. pole, 30" arm.
BBD4-12	Twin assembly for 4" O.D. pole, 12" arms. (2)
BBD4-18	Twin assembly for 4" O.D. pole, 18" arms. (2)
BBD4-24	Twin assembly for 4" O.D. pole, 24" arms. (2)
BBD4-30	Twin assembly for 4" O.D. pole, 30" arms. (2)
BBD5-12	Twin assembly for 5" O.D. pole, 12" arms. (2)
BBD5-18	Twin assembly for 5" O.D. pole, 18" arms. (2)
BBD5-24	Twin assembly for 5" O.D. pole, 24" arms. (2)
BBD5-30	Twin assembly for 5" O.D. pole, 30" arms. (2)

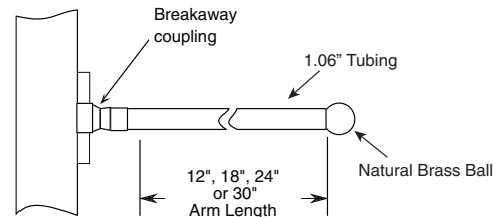
CATALOG NO.
BANNER ARMS

BSQ4-12	Single assembly for 4" SQ. pole, 12" arm.
BSQ4-18	Single assembly for 4" SQ. pole, 18" arm.
BSQ4-24	Single assembly for 4" SQ. pole, 24" arm.
BSQ4-30	Single assembly for 4" SQ. pole, 30" arm.

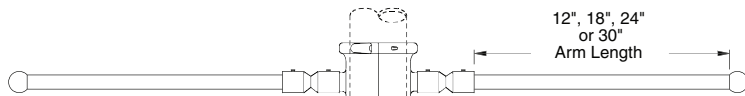
Note: For square poles, Specify banner arms location on pole.



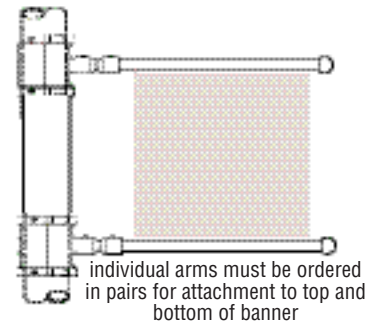
BBS
Round pole



BSQ
Square pole



Side view
Twin Assembly



DESCRIPTION

Round AAL banner arms are two-piece clamshell designs for 4"/100mm or 5"/125mm diameter poles. Banner arms for square pole shall be secured to the side of the pole with two bolts. Banner arms may be easily detached from or reattached to the pole.

The breakaway coupling is designed to yield in order to prevent excessive forces on the pole. An internal, stainless steel cable keeps the arm attached to the pole assembly. The wind speed at which the coupling detaches from the pole is determined by the banner type, pole height and vertical location of the banner on the pole. The loading is also affected by securing the banner at the top only, or the top and bottom.

NOTE: Factory consultation required for all Hubbell banner arms to ensure proper pole loading per application wind zone, maximum banner size and perforation considerations.



ARCHITECTURAL AREA LIGHTING
17760 Rowland Street | City of Industry | CA 91748
P 626.968.5666 | F 626.369.2695 | www.aal.net
Copyright © 2016 February 15, 2018 8:40 AM

JOB	_____
TYPE	_____
NOTES	_____