

ALN440 – Towne Commons® LED

TYPE

- Energy Saving LED technology
- Reliable efficient operation
- Type 2, 3, 4, 5 distributions
- 0-10V dimming ready
- Surge protection included
- Wide variety of custom mounting options including post-top, wall mount or pole mount arm
- Cast aluminum struts
- DLC pending
- Available in 3000K, 4000K and 5000K



ALN440

1. LUMINAIRE ALN 440	2. DISTRIBUTION	3. COLOR TEMP	4. DRIVER	5. COLOR	6. OPTIONS	7. CONTROL	8. MOUNTING
-------------------------	-----------------	---------------	-----------	----------	------------	------------	-------------

1. LUMINAIRE

ARM OR POST TOP MOUNT

ALN 440

TOP MOUNTED ARM OR PENDANT MOUNT

ALN 440D

2. DISTRIBUTION

Y2 (Type 2)

Y3 (Type 3)

Y4 (Type 4)

Y5 (Type 5)

3. COLOR TEMPERATURE

32LED-3K (Warm White, 3000K output)

32LED-4K (Neutral White, 4000K output)

32LED-5K (Bright White, 5000K output)

4. DRIVER (120 thru 277 volt)

700 (700mA drive current, 75 watts)

5. COLOR

BLS	Black Gloss Smooth	
BLT	Black Matte Textured	
DBS	Dark Bronze Gloss Smooth	
DBT	Dark Bronze Matte Textured	
GTT	Graphite Matte Textured	
LGS	Light Grey Gloss Smooth	
LGT	Light Grey Matte Textured	
PSS	Platinum Silver Gloss Smooth	
VGT	Verde Green Matte Textured	
WHS	White Gloss Smooth	¹ Consult factory for custom color, marine and corrosive finish options
WHT	White Matte Textured	
CC ¹	Custom Color	

6. OPTIONS

LDL (Lightly diffused lens)

SBL (Sandblast diffused lens)

HSS-L (House side shield, consists of three field installed panels attached to the inside of the lens. Installing three panels blocks 180° of the lens)

MAT (Mast arm adapter slips over a 2 3/8" / 60mm O.D. pipe and is secured with 4 stainless steel set screws. For ALN440D only.)

PMS (Pendant mount with 48" / 1220mm stem and canopy with swivel. For ALN440D only.)

PMC (Pendant kit includes canopy and 48" / 1220mm of brass chain painted the fixture color. For ALN440D only.)

PT5 (Post top adaptor for a 5"/127mm O.D. pole)

7. CONTROL

PCA-C (Contemporary photocell adapter, not for Wall Mount)

PCA-T (Traditional photocell adapter, not for Wall Mount)

SCP (Sensor Control Programmable) pole accessory is available to provide occupancy detection for outdoor applications meeting California Title 24. For complete spec sheet and ordering information, visit www.aal.net/products/sensor_control_programmable/

8. MOUNTING

WALL MOUNT

ALN440

WMA1M	WMA1L	WMA3	WMA35U
WMA36U	WMA55	WMA56	WMA57
WMA7	WMA9U	WMA22U	

ALN440D

WMA2M	WMA2L	WMA37	WMA38
WMA39	WMA4	WMA6	WMA8
WMA9D	WMA10	WMA11	WMA12
WMA16	WMA17	WMA18	WMA22D

POLE MOUNT

Post Top Mount: (Standard)

The fixture shall slip over a 4"/100mm O.D. pole or tenon and be secured to the pole with three (or six) stainless steel set screws.

Pole Side Mount (4" O.D. or 5" O.D. side mount)

ALN440

TRA1M	TRA3	TRA5U	TRA55
TRA56 (4" only)	TRA57	TRA59U	SLA8U
SLA22U			

ALN440D

TRA2M	TRA2L	SLA3 (4" only)	SLA8D
SLA22D			

Pole Top Mount Arm

ALN440

SLA1	SLA1-2		
------	--------	--	--

ALN440D

TRA4	TRA7	TRA7-2	TRA8
TRA9	TRA9-2	SLA4	SLA4-2
SLA7	SLA7-2	SLA9	SLA9-2
SLA10	SLA10-2	SLA16	SLA16-2
SLA17	SLA17-2	SLA18	SLA18-2

PIER MOUNT

PM1	PM2	PM3
-----	-----	-----

Visit www.aal.net for Arms, Poles & Accessories Specification Guide

SPECIFICATIONS

HOUSING

Luminaire shall be cast A356 alloy aluminum, free of any porosity or cosmetic fillers. Castings shall be of uniform wall thickness, minimum .188 inch with no warping or mold shifting.

The top cap shall hinge open by loosening two captive fasteners. The top shall seal the lamp compartment with a continuous silicone gasket. The lens shall be one-piece clear optical grade acrylic with a one-piece memory retentive silicone gasket on top and bottom. The LED and driver assembly shall be serviceable by backing out three thumb screws to allow for the light engine to be lifted out. Quick disconnects shall be used for all electrical connections.

All internal and external hardware shall be stainless steel.

OPTICAL MODULE

The optical assembly shall be completely sealed with a one piece injection molded silicone gasket to prevent dust, insect or moisture contamination. The optical array shall consist of high brightness light emitting diodes mounted to a printed metal circuit board with precision injection molded optically clear lenses discretely coupled to each individual diode. The printed circuit board assembly shall have a uniform conformal coating with the exception of the optical output lens at each diode and be mechanically fastened to an anodized die-cast aluminum heat sink. Standard color temperatures shall be 3000K, 4000K and 5000K.

ELECTRICAL

Universal voltage, 120 through 277V with a ±10% tolerance. Driver is Underwriters Laboratories listed. Driver has a 0-10V dimming interface for multi-level illumination options. Driver is Underwriters Laboratories listed.

Drivers are 0-10V dimming control with a dimming range of 100%-10%. Drivers are U.L. listed. All luminaires shall accept 120-277 volt input and have integral surge protection."Thermal Shield", secondary side, thermistor provides protection for the sustainable life of LED module and electronic components.

The electrical assembly shall be mounted to a serviceable tray. The surge protector shall be U.L. recognized and have a surge current rating of

See next page

JOB	_____
TYPE	_____
NOTES	_____

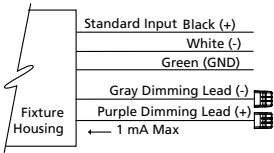


ARCHITECTURAL AREA LIGHTING
17760 Rowland Street | City of Industry | CA 91748
P 626.968.5666 | F 626.369.2695 | www.aal.net
Copyright © 2014 December 1, 2020 1:21 PM

ALN440 – Towne Commons® LED

TYPE

10,000 Amps using the industry standard 8/20uSec wave with a clamping voltage of 320V and surge rating of 372J. The surge protector case shall be a high-temperature, flame resistant plastic enclosure. The electrical assembly shall be installed and wired in the fixture.



CONTROLS

SCP shall have an integral surge protection device with a current rating of 10,000 Amps using the industry standard 8/20uSec wave and surge rating of 372J

Sensor not intended for use with additional photo-control, wireless control or dimming systems.

SERVICING

The top of the fixture shall hinge open for relamping by loosening two stainless steel fasteners.

MOUNTING

Post top mounting: The fixture shall slip over a 4"/100mm O.D. pole or tenon and be secured to the pole with three (or six) stainless steel set screws.

Arm or wall mounting: The fixture shall be attached to the cast arm with three stainless steel bolts and a silicone gasket.

FINISH

Fixture finish shall consist of a five stage pretreatment regimen with a polymer primer sealer, oven dry off and top coated with a thermoset super TGIC polyester powder coat finish.

CERTIFICATION

Fixtures shall be listed with ETL for outdoor, wet location use, conforming to the UL 1598 and Canadian CSA 22.2 no. 250 standard. IP54.

This product qualifies as a "designated country construction material" per FAR 52.225-11 Buy American-Construction Materials under Trade Agreements effective 6/06/2020. [See Buy American Solutions.](#)

WARRANTY / TERMS AND CONDITIONS OF SALE

Download:

<http://www.hubbelling.com/resources/warranty/>

AAL reserves the right to change product specifications without notice.

PROJECTED LUMEN MAINTENANCE

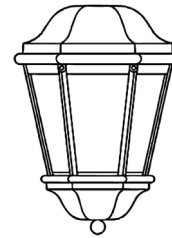
AMBIENT TEMP.	0	25,000	50,000	*TM-21-11 60,000	100,000	PROJECTED L70 (HRS)
25°C/ 77°F	100%	95%	93%	92%	89%	>60,000
40°C/ 104°F	100%	94%	91%	90%	85%	>60,000

DIMENSIONS



ALN440

ALN440
HEIGHT: 31"/790mm
LENGTH: 18"/460mm
WIDTH: 18"/460mm
WEIGHT: 40 lbs.
EPA: 2.80



ALN440D

ALN440D
HEIGHT: 26"/660mm
LENGTH: 18"/460mm
WIDTH: 18"/460mm
WEIGHT: 35 lbs.
EPA: 2.59

PERFORMANCE DATA (32 LEADS, 700 MA DRIVE CURRENT, 75 WATTS)

TYPE	LENS	5K					4K					3K				
		LUMENS	LPW	B	U	G	LUMENS	LPW	B	U	G	LUMENS	LPW	B	U	G
Y2	CLEAR	5427	72	2	3	3	5156	69	2	2	3	4016	54	1	3	2
Y3		5237	70	2	3	2	4975	66	2	3	2	3875	52	1	3	2
Y4		5736	76	1	3	3	5449	73	1	3	3	4245	57	1	3	2
Y5		5183	69	3	3	3	4945	66	3	3	2	3809	51	2	3	2
Y2		5160	69	2	4	3	4902	65	2	4	3	3818	51	1	3	3
Y3	LDL	4964	66	1	4	3	4716	63	1	4	3	3674	49	1	3	3
Y4		5449	73	1	4	3	5176	69	1	4	3	4032	54	1	4	3
Y5		4901	65	2	4	3	4685	62	2	4	3	3610	48	2	3	3
Y2	SBL	4729	63	2	4	3	4492	60	1	4	3	3499	47	1	4	3
Y3		4554	61	1	4	3	4327	58	1	4	3	3370	45	1	4	2
Y4		5004	67	1	4	3	4754	63	1	4	3	3703	49	1	4	3
Y5		4499	60	2	4	3	4292	57	2	4	3	3310	44	1	4	2

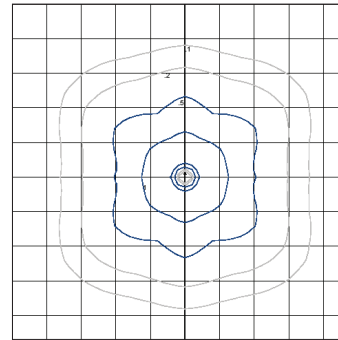
ALN440-Y5-32LED-5K-700 WATTAGE: 75 LUMEN OUTPUT: 5237 EFFICACY: 70 Lm/W

B2 U3 G2

FORWARD LIGHT		LUMEN
FL 30°	2.4%	124.3
FM 60°	34.5%	1804.4
FH 80°	29.1%	1523.6
FVH 90°	3.1%	163.2

BACK LIGHT		LUMEN
BL 30°	1.7%	90.7
BM 60°	12.1%	631.5
BH 80°	11.1%	582.8
BVH 90°	2.5%	133.1

UPLIGHT		LUMEN
UL 100°	1.0%	54.3
UH 180°	2.5%	129.2



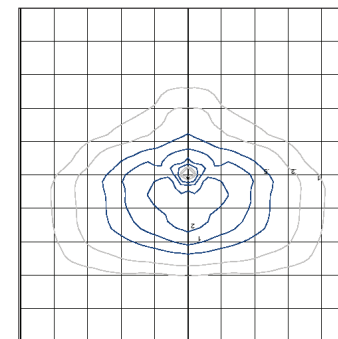
ALN440-Y3-32LED-5K-700 WATTAGE: 74.9 LUMEN OUTPUT: 5183 EFFICACY: 69 Lm/W

B3 U3 G3

FORWARD LIGHT		LUMEN
FL 30°	1.9%	96.7
FM 60°	16.2%	839.4
FH 80°	25.8%	1336.3
FVH 90°	4.4%	228.3

BACK LIGHT		LUMEN
BL 30°	1.9%	96.7
BM 60°	16.2%	839.4
BH 80°	25.8%	1336.3
BVH 90°	4.4%	228.3

UPLIGHT		LUMEN
UL 100°	1.6%	82.2
UH 180°	1.9%	99.0



[IES files can be found at www.aal.net](http://www.aal.net)



ARCHITECTURAL AREA LIGHTING
17760 Rowland Street | City of Industry | CA 91748
P 626.968.5666 | F 626.369.2695 | www.aal.net
Copyright © 2014 December 1, 2020 1:21 PM