

ALN440-LK – Towne Commons® LED – Upgrade Kits

TYPE |

- Energy Saving LED technology
- LifeShield® protection system
- IP66 construction of optical system
- Reliable efficient operation
- 0-10V dimming ready
- wiHUBB ready configurations
- Type 2, 3, 4, 5 distributions
- Surge protection included
- DLC pending
- Available in 3000K, 4200K and 5100K



ALN440

1. UPGRADE KIT ALN440-LK	2. DISTRIBUTION	3. COLOR TEMPERATURE	4. DRIVER
-----------------------------	-----------------	----------------------	-----------

1. UPGRADE KIT

Arm, Post Top or Pendant Mount

- ALN440-LK – Towne Commons 32 LED upgrade kit
- ALN440D-LK – Towne Commons 32 LED upgrade kit

2. DISTRIBUTION *(Class 2, 120 thru 277 volt)*

- Y2 *(IES Type 2 distribution)*
- Y3 *(IES Type 3 distribution)*
- Y4 *(IES Type 4 distribution)*
- Y5 *(IES Type 5 distribution)*

3. COLOR TEMPERATURE

- 32LED-3K *(Warm White 3000K diodes)*
- 32LED-4K *(Neutral White 4200K diodes)*
- 32LED-5K *(Bright White 5100K diodes)*

4. DRIVER

700 *(700 milliamp drive current, 75 watts)*

SPECIFICATIONS

The LED and driver assembly shall be serviceable by backing out three thumb screws to allow for the light engine to be lifted out. Quick disconnects shall be used for all electrical connections.

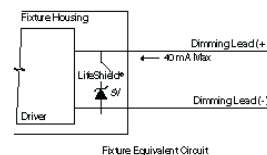
All hardware shall be stainless steel.

OPTICAL

The optical assembly shall be completely sealed with a one piece injection molded silicone gasket to prevent dust, insect or moisture contamination. The optical array shall consist of high brightness light emitting diodes mounted to a printed metal circuit board with precision injection molded optically clear lenses discretely coupled to each individual diode. The printed circuit board assembly shall have a uniform conformal coating with the exception of the optical output lens at each diode and be mechanically fastened to an anodized die-cast aluminum heat sink. Standard color temperatures shall be 3000K, 4200K and 5100K.

ELECTRICAL

All Luminaires upgrade kits shall accept 120 thru 277 volt input and have integral surge protection. Drivers shall be U.L recognized and have a 0-10v dimming interface with a dimming range of 10-100%. Approved dimmers include Lutron Diva AVTV, Lutron Nova NFTV and NTFTV. (Note: not compatible with current sourcing dimmers). Consult factory for current list of known compatible dimming systems. LifeShield™ shall be provided with all configurations for added protection in extreme temperature environments (-30°C to 60°C). The electrical assembly shall be mounted to a serviceable tray. The surge protector shall be U.L. recognized and have a surge current rating of 10,000 Amps using the industry standard 8/20uSec wave with a clamping voltage of 320V and surge rating of 372J. The surge protector case shall be a high-temperature, flame resistant plastic enclosure. The electrical assembly shall be installed and prewired in the fixture.



See next page

JOB _____

TYPE _____

NOTES _____



ALN440-LK – Towne Commons® LED – Upgrade Kits

TYPE |

CERTIFICATION

Fixtures shall be listed with ETL for outdoor, wet location use, conforming to the UL 1598 and Canadian CSA 22.2 no. 250 standard. IP66 construction.

WARRANTY / TERMS AND CONDITIONS OF SALE

Download:

<http://www.hubbellighting.com/resources/warranty/>

AAL reserves the right to change product specifications without notice.

PERFORMANCE DATA (32 LEADS, 700 MA DRIVE CURRENT, 75 WATTS)

TYPE	LENS	5K					4K					3K				
		LUMENS	LPW	B	U	G	LUMENS	LPW	B	U	G	LUMENS	LPW	B	U	G
Y2	CLEAR	5427	72	2	3	3	5156	69	2	2	3	4016	54	1	3	2
Y3		5237	70	2	3	2	4975	66	2	3	2	3875	52	1	3	2
Y4		5736	76	1	3	3	5449	73	1	3	3	4245	57	1	3	2
Y5		5183	69	3	3	3	4945	66	3	3	2	3809	51	2	3	2
Y2	LDL	5160	69	2	4	3	4902	65	2	4	3	3818	51	1	3	3
Y3		4964	66	1	4	3	4716	63	1	4	3	3674	49	1	3	3
Y4		5449	73	1	4	3	5176	69	1	4	3	4032	54	1	4	3
Y5		4901	65	2	4	3	4685	62	2	4	3	3610	48	2	3	3
Y2	SBL	4729	63	2	4	3	4492	60	1	4	3	3499	47	1	4	3
Y3		4554	61	1	4	3	4327	58	1	4	3	3370	45	1	4	2
Y4		5004	67	1	4	3	4754	63	1	4	3	3703	49	1	4	3
Y5		4499	60	2	4	3	4292	57	2	4	3	3310	44	1	4	2

ALN440-Y3-32LED-5K-700 WATTAGE: 75 LUMEN OUTPUT: 5237 EFFICACY: 70 Lm/W

B2 U3 G2

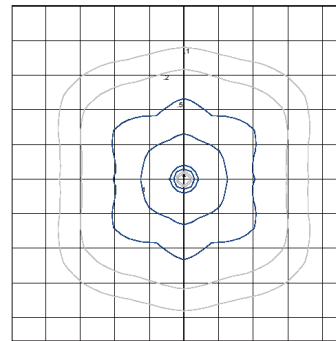
FORWARD LIGHT		LUMEN	
FL	30°	2.4%	124.3
FM	60°	34.5%	1804.4
FH	80°	29.1%	1523.6
FVH	90°	3.1%	163.2

BACK LIGHT

BL	30°	1.7%	90.7
BM	60°	12.1%	631.5
BH	80°	11.1%	582.8
BVH	90°	2.5%	133.1

UPLIGHT

UL	100°	1.0%	54.3
UH	180°	2.5%	129.2



UPLIGHT 0%
DOWNLIGHT 100%

14' MOUNTING HEIGHT

ALN440-Y5-32LED-5K-700 WATTAGE: 74.9 LUMEN OUTPUT: 5183 EFFICACY: 69 Lm/W

B3 U3 G3

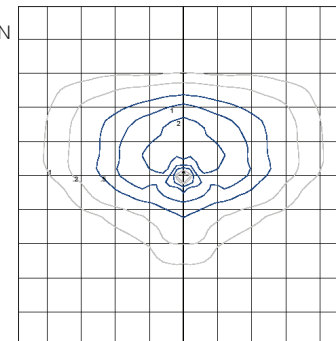
FORWARD LIGHT		LUMEN	
FL	30°	1.9%	96.7
FM	60°	16.2%	839.4
FH	80°	25.8%	1336.3
FVH	90°	4.4%	228.3

BACK LIGHT

BL	30°	1.9%	96.7
BM	60°	16.2%	839.4
BH	80°	25.8%	1336.3
BVH	90°	4.4%	228.3

UPLIGHT

UL	100°	1.6%	82.2
UH	180°	1.9%	99.0



UPLIGHT 0%
DOWNLIGHT 100%

14' MOUNTING HEIGHT

PROJECTED LUMEN MAINTENANCE

AMBIENT TEMP.	0	25,000	50,000	*TM-21-11 60,000	100,000	PROJECTED L70 (HRS)
25°C/ 77°F	100%	95%	93%	92%	89%	>60,000
40°C/ 104°F	100%	94%	91%	90%	85%	>60,000

[IES files can be found at www.aal.net](http://www.aal.net)