

FGL – Federal Globe™ LED – Large Housing Scale

TYPE

- Reliable, efficient operation
- Type 2, 3, 4, 5 distributions
- 3000K, 4000K and 5000K CCT
- 0-10V dimming ready
- Integral surge protection
- 15 standard powder coat finishes
- Scaled family members
- IP66



FGL

SPECIFICATIONS

FGL

HEIGHT: 42" 1067mm
 LENGTH: 17.5" 445mm
 WIDTH: 17.5" 445mm
 WEIGHT: 31 lbs.
 EPA: 1.47

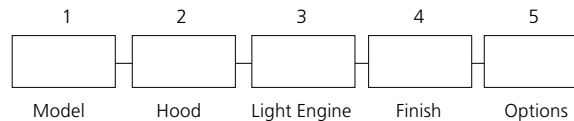


FGL-RB



FGL-LF

ORDERING CODE



1. FITTER

RB *Rib Fitter Design*
 LF *Leaf Fitter Design*

2. GLOBE

SLG *Two-piece globe*
 SAL *One-piece globe*

3. LIGHT ENGINE

Y2-36LED *IES Type II*
 Y3-36LED *IES Type III*
 Y4-36LED *IES Type IV*
 Y5-36LED *IES Type V*

4. COLOR TEMPERATURE

3K *3000K CCT, 70 CRI*
 4K *4000K CCT, 70 CRI*
 5K *5000K CCT, 70 CRI*

5. LUMEN PACKAGE

600 *73 watts*

6. FINISH

BLS Black Gloss Smooth
 BLT Black Matte Textured
 DBS Dark Bronze Gloss Smooth
 DBT Dark Bronze Matte Textured
 GTT Graphite Matte Textured
 LGS Light Grey Gloss Smooth
 LGT Light Grey Matte Textured
 PSS Platinum Silver Gloss Smooth
 VGT Verde Green Matte Textured
 WHS White Gloss Smooth
 WHT White Matte Textured
 CC¹ Custom Color

¹ Consult factory for custom color, marine and corrosive finish

7. VOLTAGE

Standard configuration are 120-277VAC input or may choose one

347 *347VAC input*
 480 *480VAC input*

8. CONTROLS

PHC *Integral photocell 2*
 SCP *Pole mounted occupancy sensor, 120-277VAC*
 SCP-HV *Pole mounted occupancy sensor, 347/480VAC*

9. OPTIONS

ALF *Cast fillgree basket for SLG*
 SF *120, 277, 347 Line Volts*
 DF *208, 240, 480 Line Volts*

10. MOUNTING

Standard configuration slips over a 5" / 127mm Ø top pole or may choose one.

PT23 *Slips over a 2 3/8" Ø Tenon*
 PT3 *Slips over a 3" Ø Tenon*
 PT4 *Slips over a 4" Ø Tenon*

PIER MOUNT

PM1 PM2 PM3

ARM MOUNT

TRA1M¹ TRA1L¹ TRA5U¹
 TRA6U¹ TRA55¹ TRA56
 TRA57¹

WALL MOUNT

WMA1M WMA1L WMA35U
 WMA36U WMA55 WMA56
 WMA57

¹ Specify 4" or 5" pole

² Specify 120/208/240/277 voltage input

³ Consult factory for custom color, marine and corrosive finish options



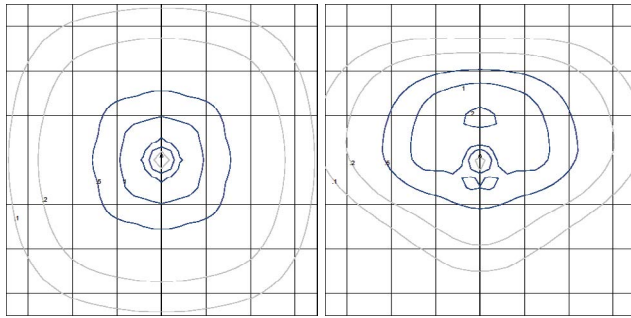
ARCHITECTURAL AREA LIGHTING
 17760 Rowland Street | City of Industry | CA 91748
 P 626.968.5666 | F 626.369.2695 | www.aal.net
 Copyright © 2017 | November 10, 2020 3:32 PM

JOB _____
 TYPE _____
 NOTES _____

PERFORMANCE DATA (36 LEDS, 600 MA DRIVE CURRENT, 73 WATTS)

TYPE	LENS	5K					4K					3K					DRIVE CURRENT (mA)	SYSTEM WATTS
		LUMENS	LPW	B	U	G	LUMENS	LPW	B	U	G	LUMENS	LPW	B	U	G		
T2	SLS SAG	5877	81	2	4	3	5811	80	2	4	3	5666	78	2	4	3	600 mA	73
T3		5281	72	2	4	2	5221	72	2	4	2	5091	70	2	4	2		
T4		5756	79	1	5	3	5691	78	1	4	3	5549	76	1	4	3		
T5	5214	71	3	4	3	5155	71	3	4	3	5026	69	3	4	3			
CCT Average		5000K					4000K					3000K						
CRI Minimum		≤70					≤70					≤80						

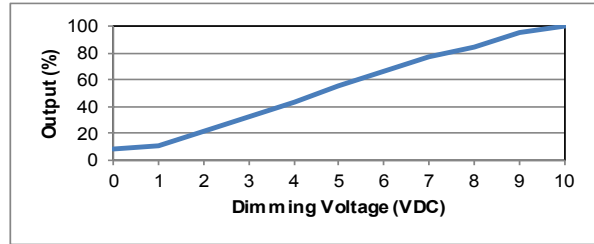
ISOLINE TEMPLATE



FGL-RB-SLG-Y5-36LED-5K-600

FGL-RB-SLG-Y3-36LED-5K-600

DIMM



AMBIENT TEMP.	0	25,000	50,000	*TM-21-11 60,000	100,000	REPORTED L70 (HRS)
25°C/77°F	100%	96%	95%	94%	91%	>60,000
40°C/104°F	100%	95%	92%	91%	86%	>60,000

SPECIFICATIONS

HOUSING

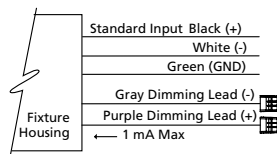
- Luminaire housings are cast aluminum, A356 alloy.
- Outer lens are acrylic and sealed to the housing with a silicone gasket on the top and bottom.
- All internal and external hardware are stainless steel.
- Finial and optional cast filigree basket are painted to match housing.

OPTICAL MODULE

- Light emitting diode (LED) assembly are sealed to a die-cast anodized aluminum heat sink with an injection molded silicone rubber gasket and stainless steel bezel, IP66.
- LED optics are injection molded PMMA acrylic and be mounted to a metal printed circuit board with a uniform conformal coating over the panel surface and electrical features.

ELECTRICAL

- Luminaires accept 120 thru 277 50/60Hz input voltage have integral surge protection and wire leads for controls.
- Drivers are U.L recognized, have a minimum starting temperature of -30°C and have a 0-10v dimming interface with a dimming range of 10-100%.



- Drivers have a power factor ≥.90 and THD of ≤20% at full load with an inrush current maximum of <20.0 Amps maximum at 230VAC.
- Drivers are not be compatible with current sourcing dimmers, consult factory for current list of known compatible dimming systems
- Thermal shield is provided with all configurations for added protection in the event of abnormally excessively high ambient temperature conditions.
- Surge protector are U.L. recognized and have a surge current rating of 10,000 Amps using the industry standard 8/20uSec wave and surge rating of 372J.

CONTROLS

- SCP have an integral surge protection device with a current rating of 10,000 Amps using the industry standard 8/20uSec wave and sure rating of 372J
- Sensor not intended for use with additional photo-control, wireless control or dimming systems.

SERVICING

- The electrical assembly are mounted to a prewired internal service tray and accessed by releasing the service latch to allow the fixture to hinge open into a service position.

FINISH

- Luminaire finish consists of a five stage pretreatment regimen with a polymer primer sealer, oven dry off, and top coated with a thermoset super TGIC polyester powder coat finish.
- Luminaire finish are meet the AAMA 605.2 performance specification which includes passing a 3000 hour salt spray test for corrosion resistance.

CERTIFICATION

- Luminaire is listed with ETL for outdoor, wet location use, UL1598, UL 8750 and Canadian CSA Std. C22.2 no.250. IP66.

WARRANTY / TERMS AND CONDITIONS OF SALE

Download:
<http://www.hubbelling.com/resources/warranty/>