

# FGL-LK – Federal Globe™ LED Upgrade Kits

TYPE

- Reliable, efficient operation
- Type 2, 3, 4, 5 distributions
- 3000K, 4000K and 5000K CCT
- Integral surge protection
- IP66
- DLC QPL pending



1. KIT    2. GLOBE STYLE    3. OPTICAL SYSTEM    4. COLOR TEMP    5. DRIVER    6. OPTIONS

## 1. UPGRADE KIT

- FGL-LK (Compatible with Federal Globe™ large scale HID luminaire)

## 2. GLOBE STYLE

### STANDARD LENS GLOBE

- SLG (Two-piece globe)

### STANDARD ACORN GLOBE

- SAL (One-piece globe)

## 3. OPTICAL SYSTEM

- Y2-36LED (Type 2)
- Y3-36LED (Type 3)
- Y4-36LED (Type 4)
- Y5-36LED (Type 5)

## 4. COLOR TEMPERATURE

- 3K (Warm White, 3000K output)
- 4K (Neutral White, 4200K output)
- 5K (Bright White, 5100K output)

## 5. DRIVER (120 thru 277 volt)

- 600 (600mA drive current, 73 watts)

## 6. OPTIONS

- 347 (347VAC input)
- 480 (480VAC input)
- WIH (Integral HBA w iHUBB IFM transceiver and antenna)

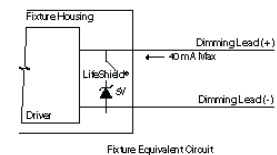
## SPECIFICATIONS

### OPTICAL MODULE

- Light emitting diode (LED) assembly shall be sealed to a die-cast anodized aluminum heat sink with an injection molded silicone rubber gasket and stainless steel bezel, IP66.
- LED optics shall be injection molded PMMA acrylic and be mounted to a metal printed circuit board with a uniform conformal coating over the panel surface and electrical features.

### ELECTRICAL

- Upgrade kits shall accept 120 thru 277 50/60Hz input voltage have integral surge protection.
- Existing luminaires may not have 0-10V control leads in place prior to the upgrade kit, consult factory for dimming and control solutions.
- Drivers shall be U.L recognized, have a minimum starting temperature of -30°C and have a 0-10v dimming interface with a dimming range of 10-100%.
- Drivers shall have a power factor  $\geq .90$  and THD of  $\leq 20\%$  at full load with an inrush current maximum of  $< 20.0$  Amps maximum at 230VAC.
- Drivers shall not be compatible with current sourcing dimmers, consult factory for current list of known compatible dimming systems
- Approved dimmers include Lutron Diva AVTV, Lutron Nova NFTV and NTFTV.
- LifeShield™ shall be provided with all configurations for added protection in the event of abnormally excessively high ambient temperature conditions.
- Surge protector shall be U.L. recognized and have a surge current rating of 10,000 Amps using the industry standard 8/20uSec wave and surge rating of 372J.



ARCHITECTURAL AREA LIGHTING  
 16555 East Gale Ave. | City of Industry | CA 91745  
 P 626.968.5666 | F 626.369.2695 | www.aal.net  
 Copyright © 2014 | Rev 2.15

JOB \_\_\_\_\_  
 TYPE \_\_\_\_\_  
 NOTES \_\_\_\_\_

## SPECIFICATIONS (CONT.)

### SERVICING

- The electrical assembly shall be mounted to a prewired internal service tray and accessed by releasing the service latch to allow the fixture to hinge open into a service position.

### CERTIFICATION

- Upgrade kits shall be listed with ETL for outdoor, wet location use, UL1598, UL 8750 and Canadian CSA Std. C22.2 no.250. IP66.

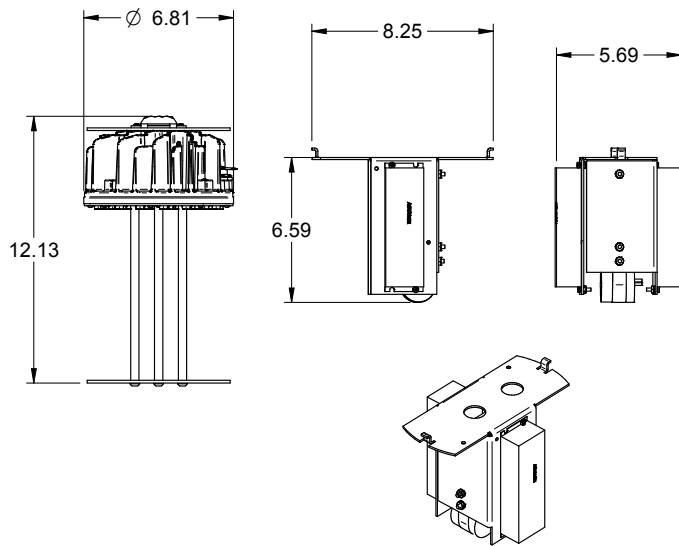
### WARRANTY / TERMS AND CONDITIONS OF SALE

Download:

<http://www.hubbelling.com/resources/warranty/>

AAL reserves the right to change product specifications without notice.

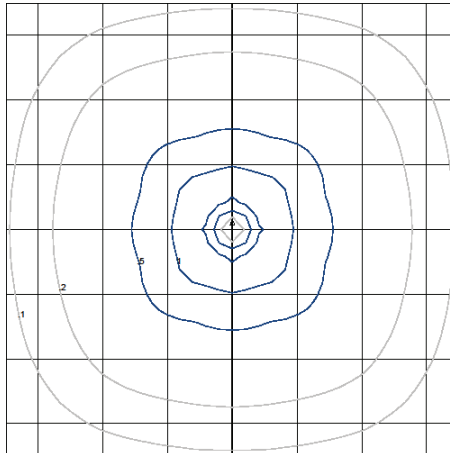
## DIMENSIONS



## PERFORMANCE DATA (36 LEDS, 600 MA DRIVE CURRENT, 73 WATTS)

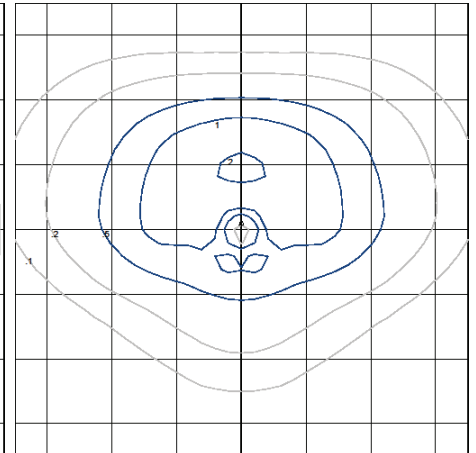
TYPE	LENS	5K			4K			3K			Amps @ 120VAC	Amps @ 277VAC						
		LUMENS	LPW	B U G	LUMENS	LPW	B U G	LUMENS	LPW	B U G								
T2	SAL	5343	73.2	2	4	3	4654	63.8	2	4	2	3601	49.3	1	4	2	.6	.3
T3		4801	65.8	1	4	2	4182	57.3	1	4	2	3236	44.3	1	4	2		
T4		SLG	5233	71.7	1	4	3	4558	62.4	1	4	2	3527	48.3	1	4		
T5	4740		64.9	2	4	2	4155	56.9	2	4	2	3215	44.0	2	4	2		
CCT Average		5100K			4200K			3000K										
CCT Range		4600K – 5600			3800K – 4600K			2800K – 3175K										
CRI Minimum		≤70			≤70			≤80										

FGL-LK-SLG-Y5-36LED-5K-600



10' MOUNTING HEIGHT

FGL-LK-SLG-Y3-36LED-5K-600



10' MOUNTING HEIGHT

[IES files can be found at www.aal.net](http://www.aal.net)

AMBIENT TEMP.	0	25,000	50,000	*TM-21-11 60,000	100,000	REPORTED L70 (HRS)
25°C/77°F	100%	96%	95%	94%	91%	>60,000
40°C/104°F	100%	95%	92%	91%	86%	>60,000



ARCHITECTURAL AREA LIGHTING  
16555 East Gale Ave. | City of Industry | CA 91745  
P 626.968.5666 | F 626.369.2695 | [www.aal.net](http://www.aal.net)  
Copyright © 2014 | Rev 2.15

JOB \_\_\_\_\_  
TYPE \_\_\_\_\_  
NOTES \_\_\_\_\_