

FGS – Federal Globe™ LED – Small Housing Scale

TYPE

- Reliable, efficient operation
- Type 2, 3, 4, 5 distributions
- 3000K, 4000K and 5000K CCT
- 0-10V dimming ready
- Integral surge protection
- Scaled family members

FGS



1. LUMINAIRE 2. DECORATIVE STYLE 3. GLOBE STYLE 4. OPTICAL SYSTEM 5. COLOR TEMP 6. DRIVER 7. COLOR 8. OPTIONS 9. MOUNTING

1. LUMINAIRE

FGS (Small scale housing – LED)
Slips over a 4”/100mm O.D. pole

2. DECORATIVE STYLE

RB (Rib Fitter Design)
LF (Leaf Fitter Design)

3. GLOBE STYLE

STANDARD ACORN GLOBE
SAL (One-piece globe)

4. OPTICAL SYSTEM

Y2-36LED (Type 2)
Y3-36LED (Type 3)
Y4-36LED (Type 4)
Y5-36LED (Type 5)

5. COLOR TEMPERATURE

3K (Warm White, 3000K output)
4K (Neutral White, 4000K output)
5K (Bright White, 5000K output)

6. DRIVER (120 thru 277 volt)

450 (450mA drive current, 53 watts)

7. COLOR

BLS Black Gloss Smooth
BLT Black Matte Textured
DBS Dark Bronze Gloss Smooth
DBT Dark Bronze Matte Textured
GTT Graphite Matte Textured
LGS Light Grey Gloss Smooth
LGT Light Grey Matte Textured
PSS Platinum Silver Gloss Smooth
VGT Verde Green Matte Textured
WHS White Gloss Smooth
WHT White Matte Textured
CC¹ Custom Color

¹ Consult factory for custom color, marine and corrosive finish

8. OPTIONS

FS1 (Single fuse holder, fuse by others)
FS2 (Double fuse holder, fuse by others)
TA3 (Tenon adaptor slips over a 3”/75 mm O.D. by 4”/100 mm tenon)
AD5 (Adaptor to slip over a 5”/125mm O.D. pole and is 4”/100mm long. Secures to the pole with four stainless steel set screws)
TA23 (Tenon adaptor, slips over a 2 3/8” O.D. by 4”/100mm tenon)
ALF (Cast filigree basket.)
PHC (Integral button type photo control sensor. Specify line voltage 120/277V)
347 (347VAC input)
480 (480VAC input)

SCP (Sensor Control Programmable) pole accessory is available to provide occupancy detection for outdoor applications meeting California Title 24. For complete spec sheet and ordering information, visit www.aal.net/products/sensor_control_programmable/

9. MOUNTING (OPTIONAL)

POLE MOUNT

Bolts to the side of a 4”/100mm DIA. or 5”/125mm DIA. pole

TRA1M	TRA1L	TRA5U
TRA55	TRA56 (4" only)	
TRA57	TRA6U	

WALL MOUNT

WMA1M	WMA1L	WMA3
WMA35U	WMA36U	
WMA55	WMA56	WMA57

PIER MOUNT

PM1	PM2PM3
-----	--------

Visit www.aal.net for Arms, Poles & Accessories Specification Guide

SPECIFICATIONS

HOUSING

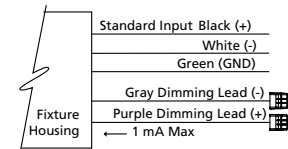
- Luminaire housings is cast aluminum, A356 alloy.
- Outer lens are acrylic and sealed to the housing with a silicone gasket on the top and bottom.
- All internal and external hardware are stainless steel.
- Finial and optional cast filigree basket are painted to match housing.

OPTICAL MODULE

- Light emitting diode (LED) assembly are sealed to a die-cast anodized aluminum heat sink with an injection molded silicone rubber gasket and stainless steel bezel, IP66.
- LED optics are injection molded PMMA acrylic and be mounted to a metal printed circuit board with a uniform conformal coating over the panel surface and electrical features.

ELECTRICAL

- Luminaires shall accept 120 thru 277 50/60Hz input voltage have integral surge protection and wire leads for controls.
- Drivers are U.L. recognized, have a minimum starting temperature of -30°C and have a 0-10v dimming interface with a dimming range of 10-100%.



- Drivers shall have a power factor $\geq .90$ and THD of $\leq 20\%$ at full load with an inrush current maximum of < 20.0 Amps maximum at 230VAC.
- Drivers shall not be compatible with current sourcing dimmers, consult factory for current list of known compatible dimming systems
- Thermal shield will be provided with all configurations for added protection in the event of abnormally excessively high ambient temperature conditions.
- Surge protector are U.L. recognized and have a surge current rating of 10,000 Amps using the industry standard 8/20uSec wave and surge rating of 372J.



ARCHITECTURAL AREA LIGHTING
16555 East Gale Ave. | City of Industry | CA 91745
P 626.968.5666 | F 626.369.2695 | www.aal.net
Copyright © 2014 | Rev 2.15

JOB	_____
TYPE	_____
NOTES	_____

SPECIFICATIONS (CONT.)

CONTROLS

- SCP are have an integral surge protection device with a current rating of 10,000 Amps using the industry standard 8/20uSec wave and sure rating of 372J
- Sensor not intended for use with additional photo-control, wireless control or dimming systems.

SERVICING

- The electrical assembly are mounted to a prewired internal service tray and accessed by releasing the service latch to allow the fixture to hinge open into a service position.

FINISH

- Luminaire finish are consist of a five stage pretreatment regimen with a polymer primer sealer, oven dry off, and top coated with a thermoset super TGIC polyester powder coat finish.
- Luminaire finish meets the AAMA 605.2 performance specification which includes passing a 3000 hour salt spray test for corrosion resistance.

CERTIFICATION

- Luminaire are listed with ETL for outdoor, wet location use, UL1598, UL 8750 and Canadian CSA Std. C22.2 no.250. IP66.

WARRANTY / TERMS AND CONDITIONS OF SALE

Download:

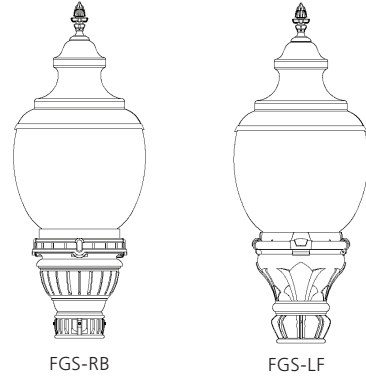
<http://www.hubbellighting.com/resources/warranty/>

AAL reserves the right to change product specifications without notice.

DIMENSIONS

FGS

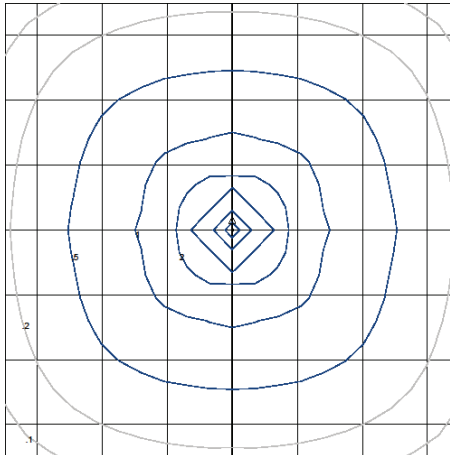
HEIGHT:	36"	914mm
LENGTH:	14"	356mm
WIDTH:	14"	356mm
WEIGHT:	22 lbs	
EPA:	1.19	



PERFORMANCE DATA (36 LEDS, 450 MA DRIVE CURRENT, 53 WATTS)

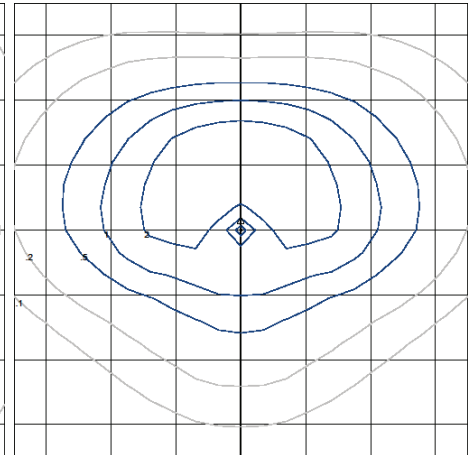
TYPE	LENS	5K					4K					3K					DRIVE CURRENT (mA)	SYSTEM WATTS
		LUMENS	LPW	B	U	G	LUMENS	LPW	B	U	G	LUMENS	LPW	B	U	G		
T2	SAL	5183	71	2	4	3	5125	70	2	4	3	4997	68	2	4	3	45	53
T3		4667	64	1	4	2	4615	63	1	4	2	4499	62	1	4	2		
T4		5083	70	1	4	2	5026	69	1	4	2	4900	67	1	4	3		
T5		4645	64	3	4	2	4593	63	3	4	2	4478	61	2	4	2		
CCT Average		5100K					4200K					3000K						
CCT Range		4600K – 5600					3800K – 4600K					2800K – 3175K						
CRI Minimum		≤70					≤70					≤80						

FGS-RB-SLG-Y5-36LED-5K-450



10' MOUNTING HEIGHT

FGS-RB-SLG-Y3-36LED-5K-450



10' MOUNTING HEIGHT

[IES files can be found at www.aal.net](http://www.aal.net)

AMBIENT TEMP.	0	25,000	50,000	*TM-21-11 60,000	100,000	REPORTED L70 (HRS)
25°C/77°F	100%	97%	96%	95%	93%	>60,000
40°C/104°F	100%	95%	93%	92%	89%	>60,000



ARCHITECTURAL AREA LIGHTING
16555 East Gale Ave. | City of Industry | CA 91745
P 626.968.5666 | F 626.369.2695 | www.aal.net
Copyright © 2014 | Rev 2.15

JOB _____
TYPE _____
NOTES _____