

FGS-LK – Federal Globe™ LED Upgrade Kits

TYPE

- Reliable, efficient operation
- Type 2, 3, 4, 5 distributions
- 3000K, 4000K and 5000K CCT
- Integral surge protection
- IP66
- DLC QPL pending

FGS



1. KIT	2. GLOBE STYLE	3. OPTICAL SYSTEM	4. COLOR TEMP	5. DRIVER	6. OPTIONS

1. UPGRADE KIT

FGS-LK (Compatible with Federal Globe™ small scale HID luminaire)

2. GLOBE STYLE

STANDARD ACORN GLOBE
SAL (One-piece globe)

3. OPTICAL SYSTEM

Y2-36LED (Type 2)
Y3-36LED (Type 3)
Y4-36LED (Type 4)
Y5-36LED (Type 5)

4. COLOR TEMPERATURE

3K (Warm White, 3000K output)
4K (Neutral White, 4200K output)
5K (Bright White, 5100K output)

5. DRIVER (120 thru 277 volt)

450 (450mA drive current, 53 watts)

6. OPTIONS

347 (347VAC input)
480 (480VAC input)

SPECIFICATIONS

OPTICAL MODULE

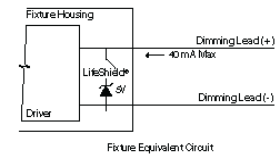
- Light emitting diode (LED) assembly shall be sealed to a die-cast anodized aluminum heat sink with an injection molded silicone rubber gasket and stainless steel bezel, IP66.
- LED optics shall be injection molded PMMA acrylic and be mounted to a metal printed circuit board with a uniform conformal coating over the panel surface and electrical features.

ELECTRICAL

- Upgrade kits shall accept 120 thru 277 50/60Hz input voltage have integral surge protection.
- Existing luminaires may not have 0-10V control leads in place prior to the upgrade kit, consult factory for dimming and control solutions.
- Drivers shall be U.L recognized, have a minimum starting temperature of -30°C and have a 0-10v dimming interface with a dimming range of 10-100%.
- Drivers shall have a power factor ≥ 0.90 and THD of $\leq 20\%$ at full load with an inrush current maximum of <20.0 Amps maximum at 230VAC.
- Drivers shall not be compatible with current sourcing dimmers, consult factory for current list of known compatible dimming systems
- Approved dimmers include Lutron Diva AVTV, Lutron Nova NFTV and NTFTV.
- LifeShield™ shall be provided with all configurations for added protection in the event of abnormally excessively high ambient temperature conditions.
- Surge protector shall be U.L. recognized and have a surge current rating of 10,000 Amps using the industry standard 8/20uSec wave and surge rating of 372J.

SERVICING

- The electrical assembly shall be mounted to a prewired internal service tray and accessed by releasing the service latch to allow the fixture to hinge open into a service position.



ARCHITECTURAL AREA LIGHTING
16555 East Gale Ave. | City of Industry | CA 91745
P 626.968.5666 | F 626.369.2695 | www.aal.net
Copyright © 2014 | Rev 2.15

JOB _____
TYPE _____
NOTES _____

FGS-LK – Federal Globe™ LED Upgrade Kits

TYPE

SPECIFICATIONS (CONT.)

CERTIFICATION

- Upgrade kits shall be listed with ETL for outdoor, wet location use, UL1598, UL 8750 and Canadian CSA Std. C22.2 no.250. IP66.

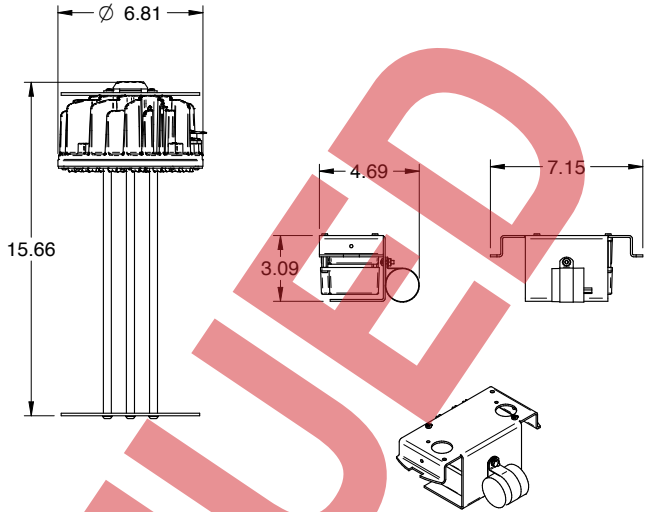
WARRANTY / TERMS AND CONDITIONS OF SALE

Download:

<http://www.hubbellighting.com/resources/warranty/>

AAL reserves the right to change product specifications without notice.

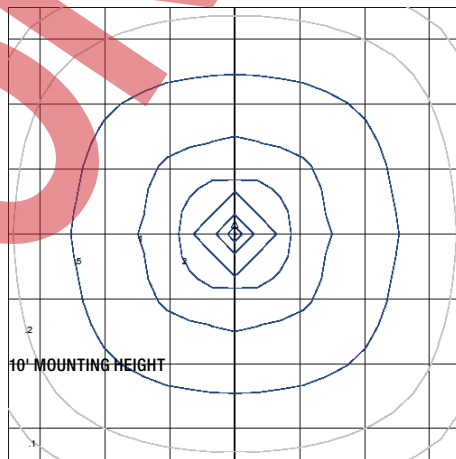
DIMENSIONS



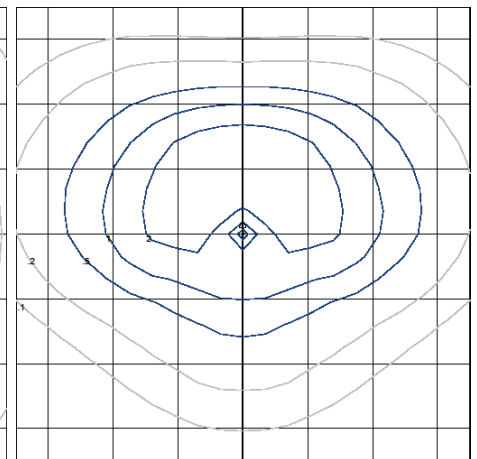
PERFORMANCE DATA (36 LEDs, 450 MA DRIVE CURRENT, 53 WATTS)

TYPE	LENS	5K					4K					3K					Amps @ 120VAC	Amps @ 277VAC
		LUMENS	LPW	B	U	G	LUMENS	LPW	B	U	G	LUMENS	LPW	B	U	G		
T2	SAL	4712	88.9	2	4	2	4201	79.3	2	4	2	3227	60.9	1	3	2	.4	.2
T3		4243	80.1	1	4	2	3782	71.4	1	4	2	2905	54.8	1	3	1		
T4		4621	87.2	1	4	2	4119	77.7	1	4	2	3164	59.7	1	3	2		
T5		4223	79.7	2	4	2	3764	71.0	2	3	2	2891	54.6	2	3	2		
CCT Average		5100K					4200K					3000K						
CCT Range	4600K – 5600					3800K – 4600K					2800K – 3175K							
CRI Minimum	≤70					≤70					≤80							

FGS-RB-SLG-Y5-36LED-5K-600



FGS-RB-SLG-Y3-36LED-5K-600



IES files can be found at www.aal.net

AMBIENT TEMP.	0	25,000	50,000	*TM-21-11 60,000	100,000	REPORTED L70 (HRS)
25°C/77°F	100%	97%	96%	95%	93%	>60,000
40°C/104°F	100%	95%	93%	92%	89%	>60,000



ARCHITECTURAL AREA LIGHTING
16555 East Gale Ave. | City of Industry | CA 91745
P 626.968.5666 | F 626.369.2695 | www.aal.net
Copyright © 2014 | Rev 2.15

JOB _____
TYPE _____
NOTES _____